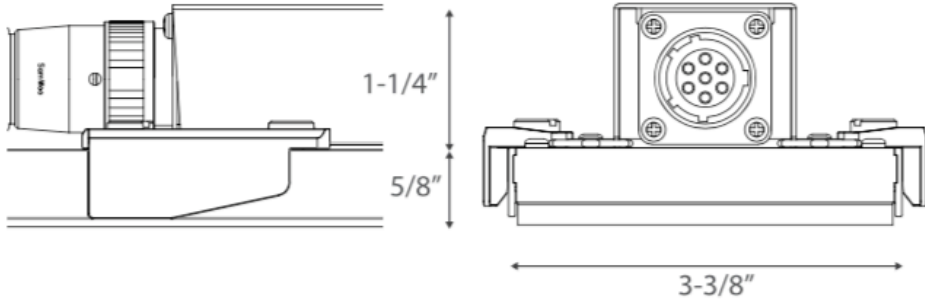
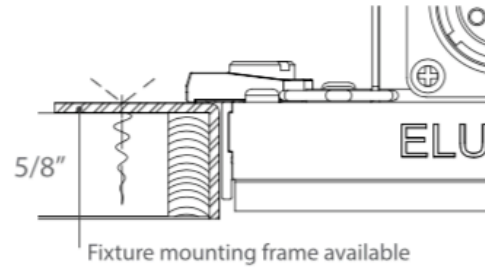


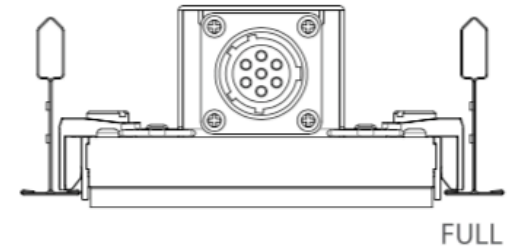
DIMENSION



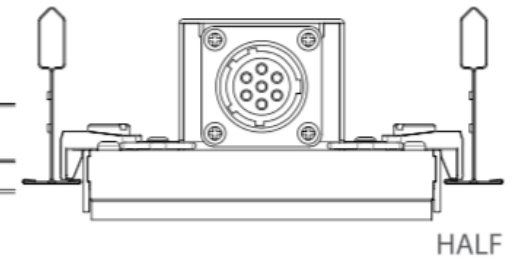
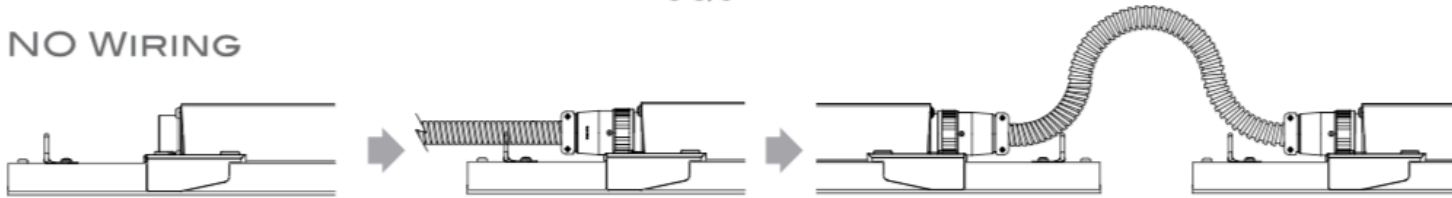
5/8" GYP. BOARD



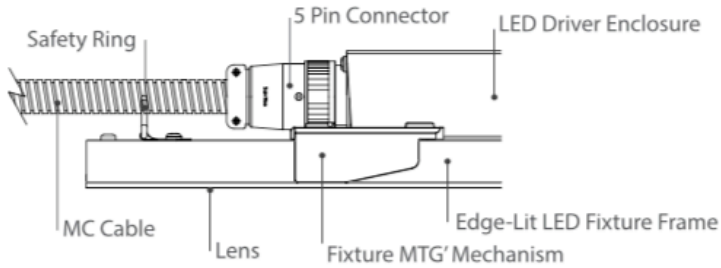
TYP. T BAR



NO WIRING



PRODUCT COMPONENTS



DAISY-CHAIN CONNECTION

	Input Power	Watt	# of Fixture
2FT	120 ~ 277Vac	16.5	30 Units
4FT		29	16 Units
6FT		42	12 Units
8FT		56	9 Units

