

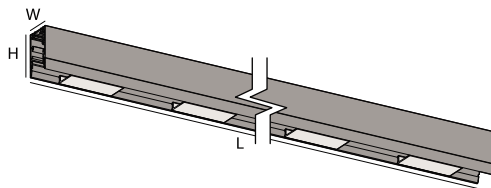


Caution

- This product is suitable for dry, indoor locations only (scope: IP20).
- ★ When installing, replacing, maintaining or cleaning Linno Infinity System:
 - The products must be handled by qualified personnel.
 - Ensure that the mains power is turned off.
 - Always wear protective gloves.
 - Wear a hard hat and safety goggles when necessary.
 - The products may become hot after prolonged use. Handle with care.
- Only compatible components should be connected as recommended by Eluxnet.
- Ensure that all electrical connections are safe and secure.
- Ensure the Infinity Track Housing is properly grounded.
- Ensure that lamp modules are securely connected to the track housing.
- Use only in the manner intended by the manufacturer. If you have any questions, contact the manufacturer. (Email_support@eluxnet.com)
- Do not open or attempt to modify the lamp module. If a luminaire is subsequently modified, the person responsible for the modification is considered as the manufacturer.
- The manufacturer is not responsible for damage or injury caused by improper handling, installation and use.

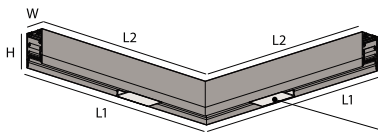
Product Dimensions

a. Linear Track Housing

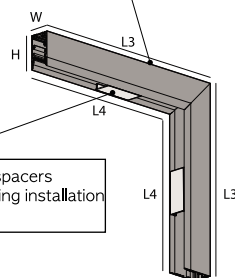


	L (Length)	W (Width)	D (Depth)
i33F	600mm	33mm	68mm
i33H	600mm	33mm	53mm
i55F	900mm	55mm	80mm
i55H	1200mm	55mm	59mm
i88	2400mm	88mm	80mm

b. 90° Horizontal Track Housing



c. 90° Vertical Track Housing

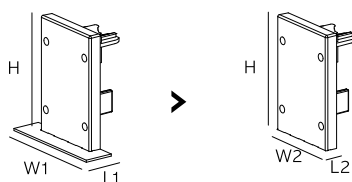


Do not remove spacers until Track Housing installation is complete.

Do not remove spacers until Track Housing installation is complete.

	L1 (Length)	L2 (Length)	L3 (Length)	L4 (Length)	W (Width)	H (Height)
i33F	625mm	592mm	655mm	587mm	33mm	68mm
i33H	625mm	592mm	655mm	602mm	33mm	53mm
i55F	635mm	580mm	655mm	575mm	55mm	80mm
i55H	635mm	580mm	655mm	596mm	55mm	59mm
i88	655mm	567mm	655mm	565mm	88mm	90mm

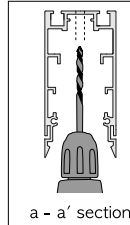
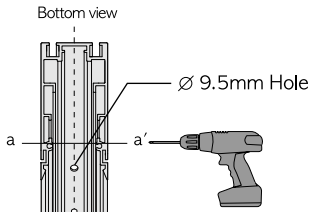
d. End-Cap



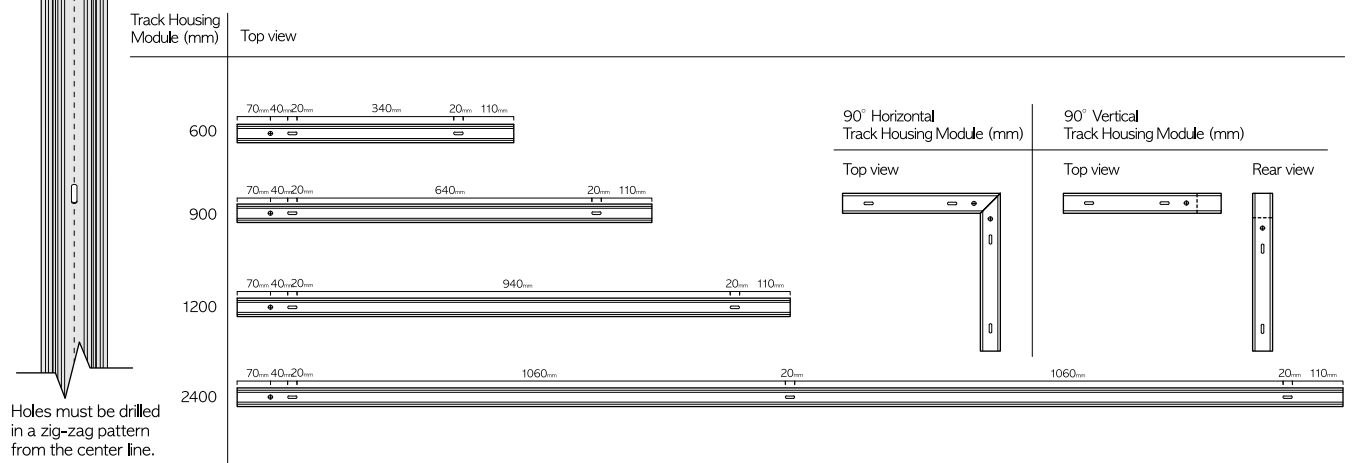
	L1	L2	W1	W2	H
i33F	15mm	4mm	56mm	33mm	68mm
i33H	15mm	4mm	56mm	33mm	53mm
i55F	15mm	4mm	78mm	55mm	80mm
i55H	15mm	4mm	78mm	55mm	59mm
i88	15mm	4mm	111mm	88mm	90mm



Before beginning installation: prepare Track Housing Modules for installation



For certain installation situations (e.g. surface, recessed mounting onto structural member) it will be necessary to drill holes in the Track Housing Modules. These holes are for the installation of the Track Housing Mounting Screws.



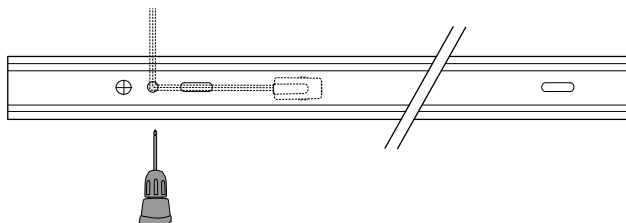
⚠ How to place AC track connector

•Option A
Fixed location



After securing the AC track connector to the track housing, connect power main to AC track connector wire.

•Option B
Location free

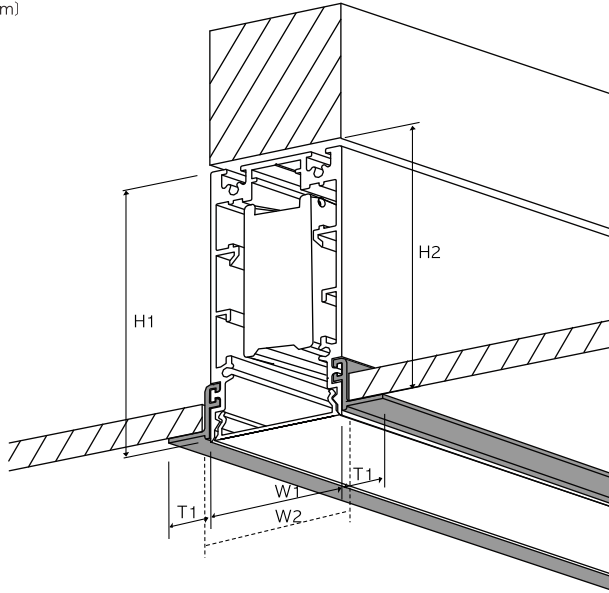


Drill \varnothing 4.5mm hole in the track housing, connect AC track connector to the main power.

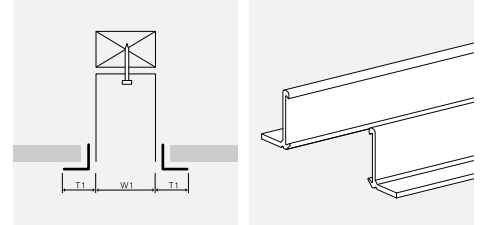
Recessed Installation Methods

a. Attaching

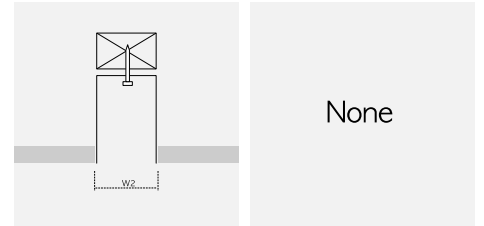
- Track Housing
 - - - - - Hole Size
 - . - . - Track Housing + Trim
- (Units: mm)



Trim

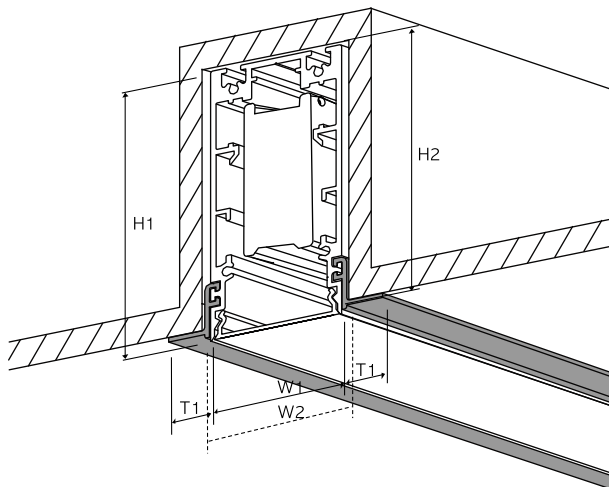


No Trim

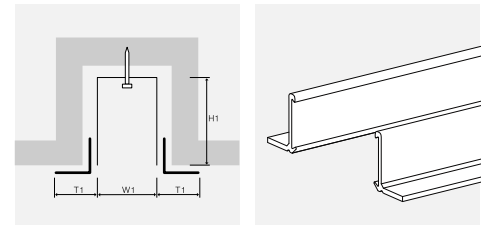


b. Mounting inside trench

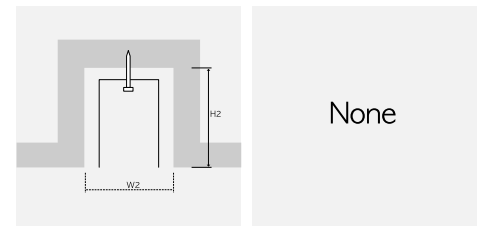
- Track Housing
 - - - - - Hole Size
 - . - . - Track Housing + Trim
- (Units: mm)



Trim



No Trim

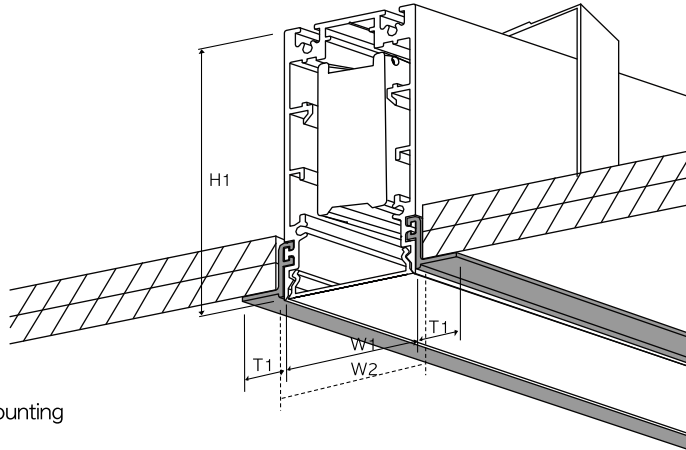


	W1 (Width)	W2 (Width)	H1 (Height)	H2 (Height)	T1 (Length)
i33F	33mm	37mm	68mm	66mm	11mm
i33H	33mm	37mm	53mm	51mm	11mm
i55F	55mm	59mm	80mm	78mm	11mm
i55H	55mm	59mm	59mm	57mm	11mm
i88	88mm	92mm	90mm	88mm	11mm

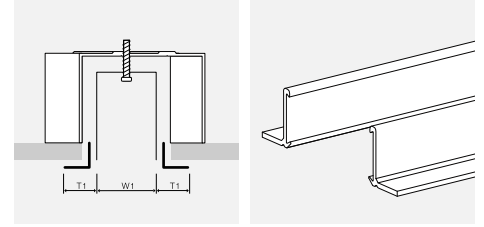
Recessed Installation Methods

c. Recessed Mounting Holder

- Track Housing
 - - - - Hole Size
 - - - - Track Housing + Trim
- (Units: mm)

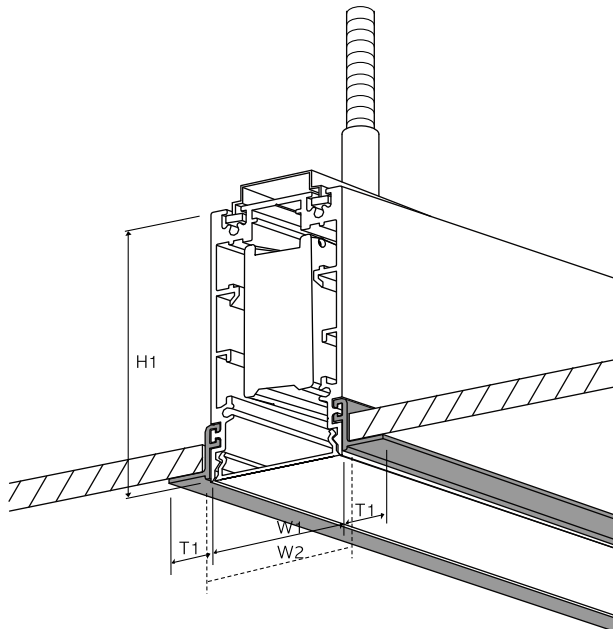


Trim

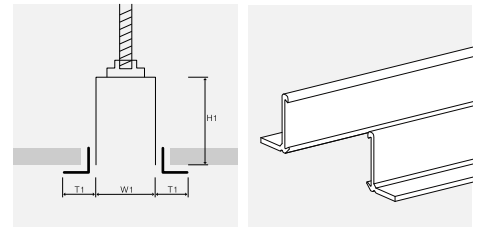


d. Pole Mounting

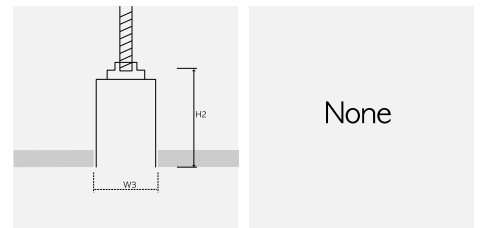
- Track Housing
 - - - - Hole Size
- (Units: mm)



Trim



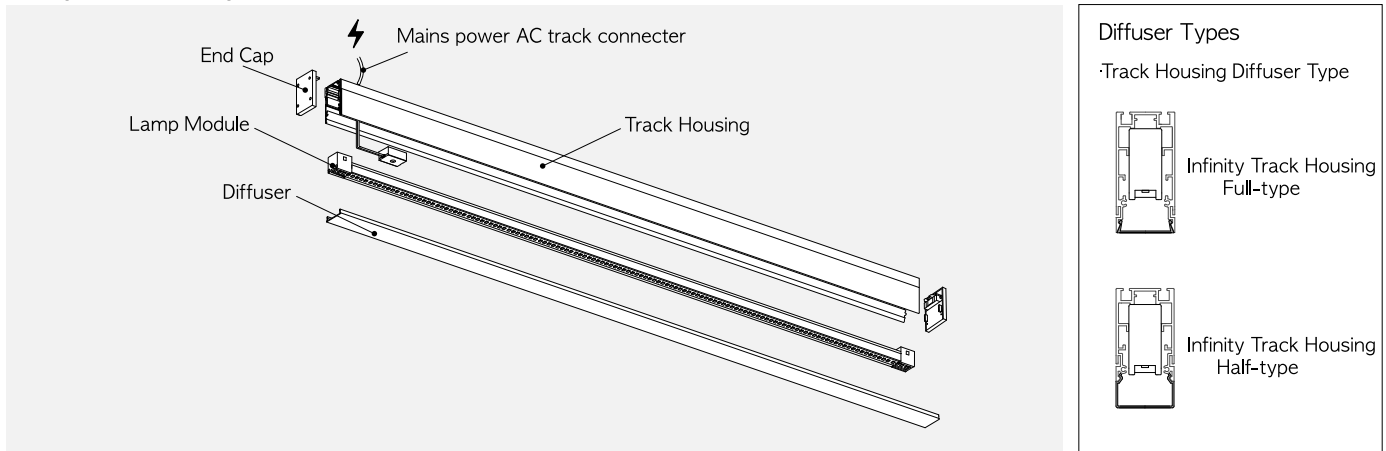
No Trim



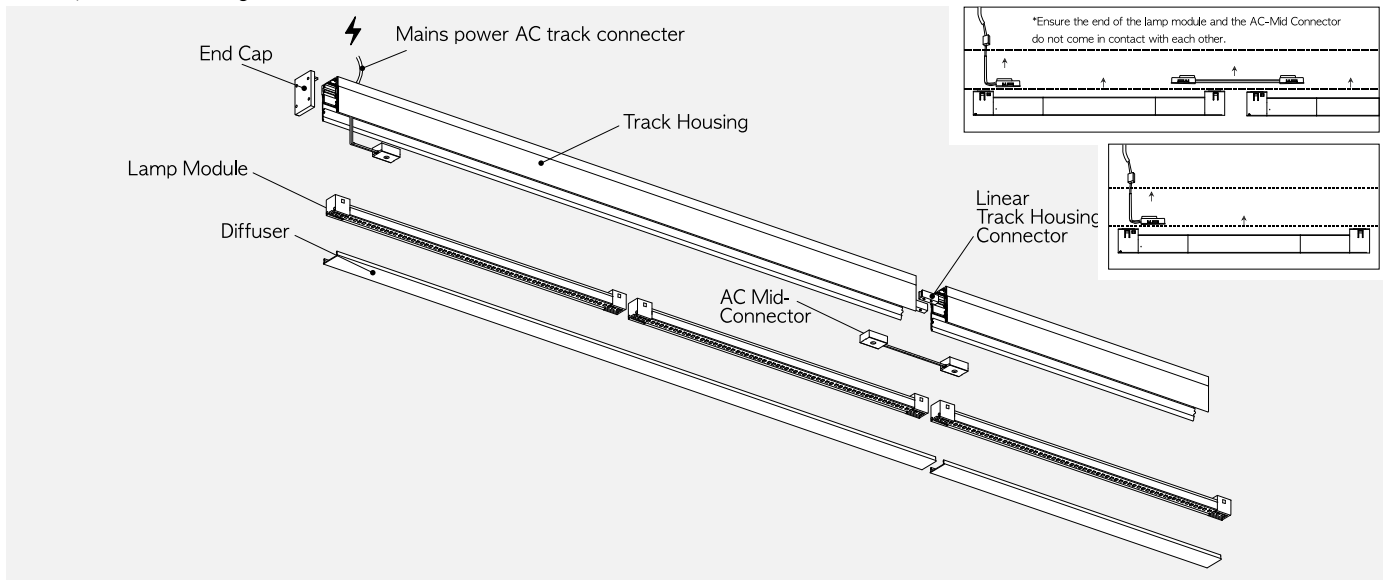
	W1 (Width)	W2 (Width)	H1 (Height)	T1 (Length)
i33F	33mm	37mm	68mm	11mm
i33H	33mm	37mm	53mm	11mm
i55F	55mm	59mm	80mm	11mm
i55H	55mm	59mm	59mm	11mm
i88	88mm	92mm	90mm	11mm

Track Module Configuration

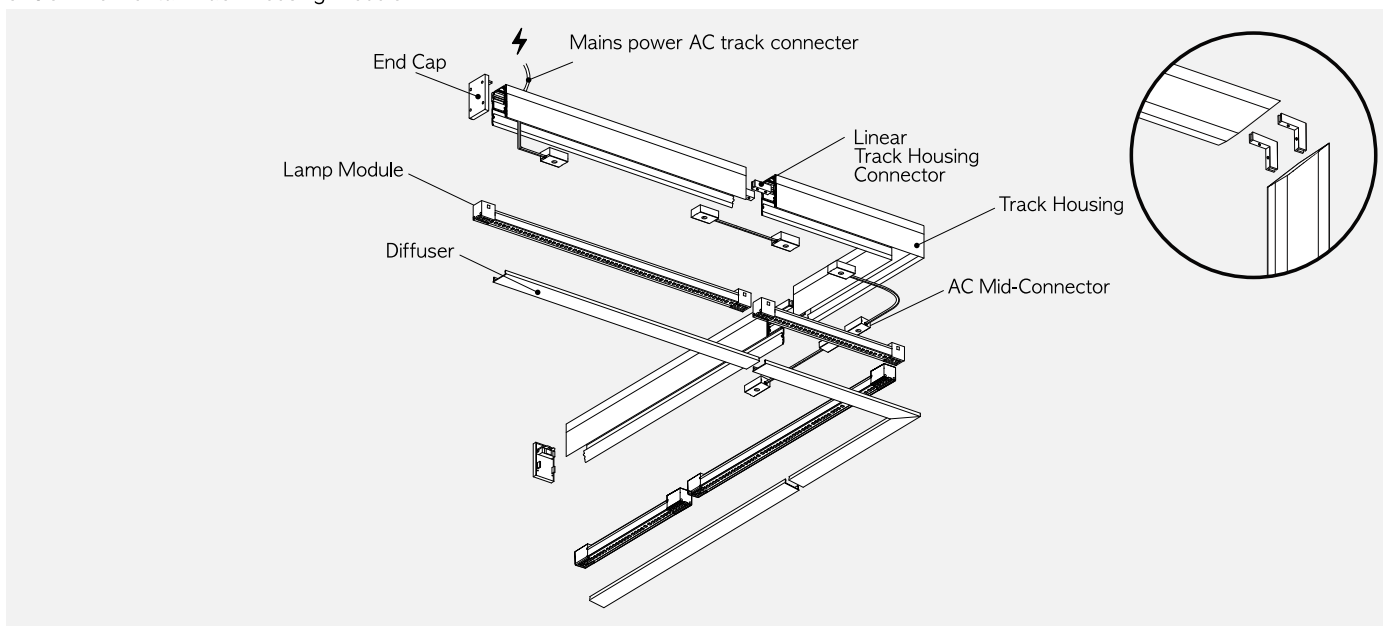
a. Single Track Housing Module



b. Multiple Track Housing Modules

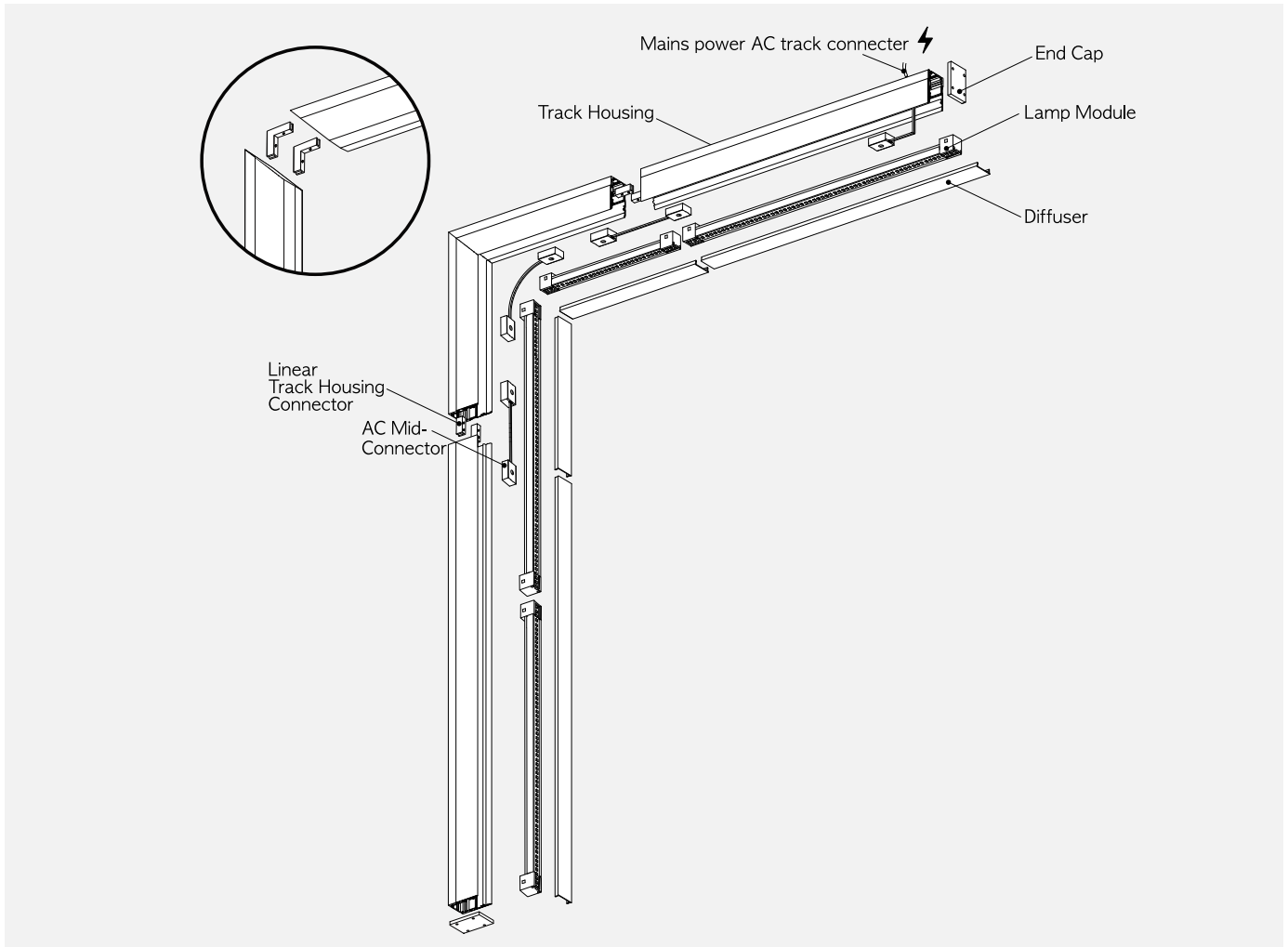


c. 90° Horizontal Track Housing Module

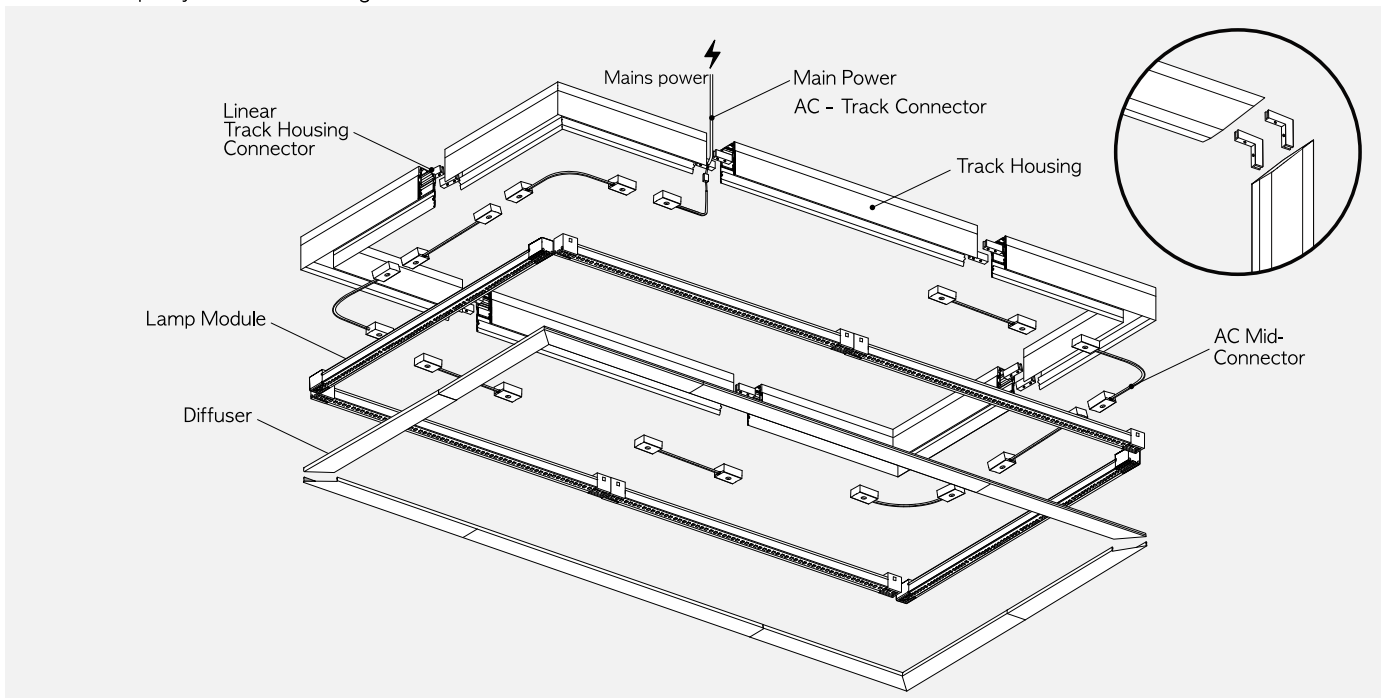


Track Module Configuration

d. 90° Horizontal Track Housing Module



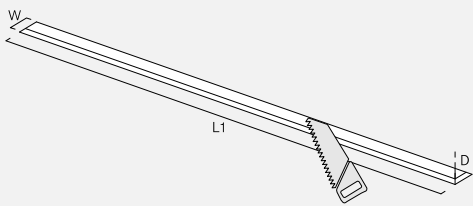
e. Closed Loop Layout Track Housing Module



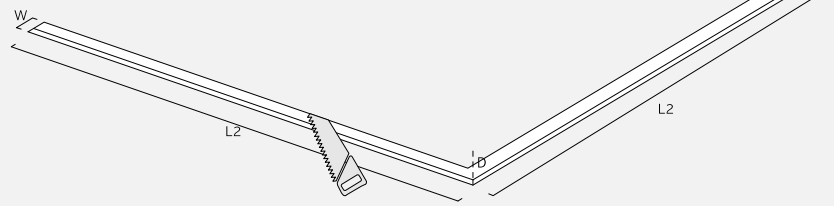
Recessed Mounting Installation Guide

1 Cutting the ceiling

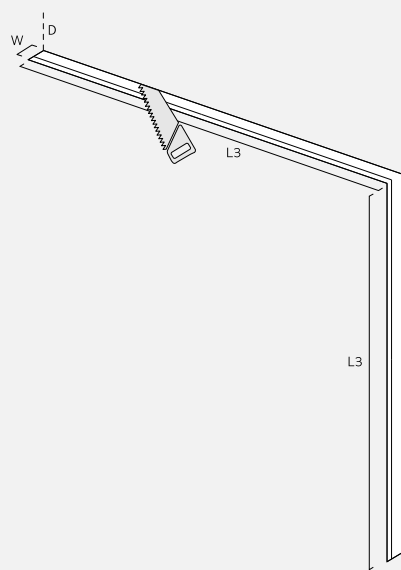
a. Linear Track Housing



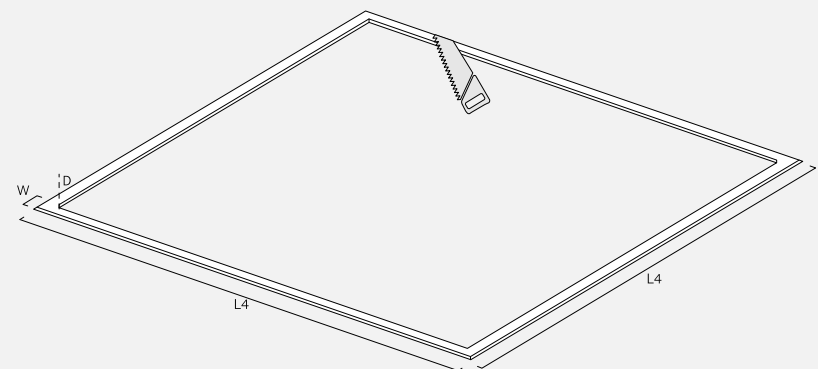
b. 90° Horizontal Track Housing Module



c. 90° Vertical Track Housing Module

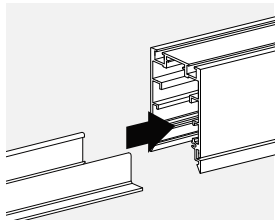


b. 90° Closed Loop Layout

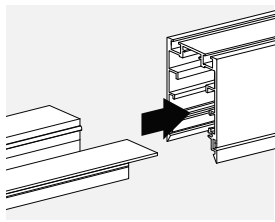


	L1	L2	L3	L4	W	D
Cut out	Track Housing Length + 4mm on each side for End Caps	Track Housing Length + 4mm for 1 End Cap	Track Housing Length + 4mm for 1 End Cap	Track Housing Length + 1mm	Track Housing Width + 1mm	Track Housing Height
Cut out + Trim	Track Housing Length + 15mm on each side for End Caps and Trim	Track Housing Length + 15mm for 1 End Cap and Trim	Track Housing Length + 15mm for 1 End Cap and Trim	Track Housing Length + 12mm on each side for Trim	Track Housing Length + 12mm on each side for trim	

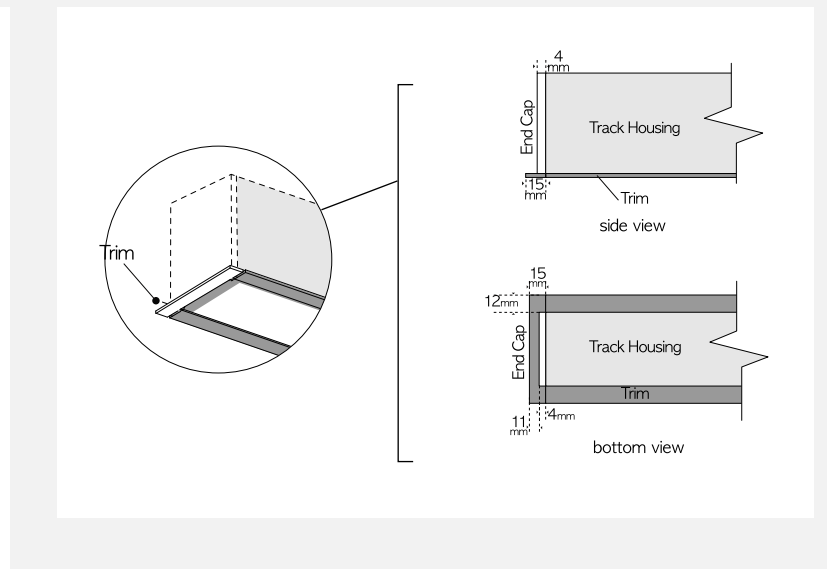
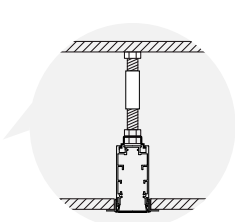
2 Attaching Strips



Recessed Mounting Strip: Trim

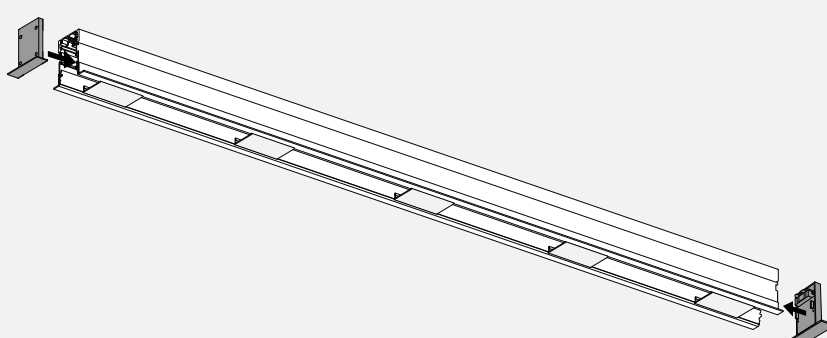


Recessed Mounting Strip: Trimless 1ply



Recessed Mounting Installation Guide

3 Attaching End-caps and connecting to mains power



Mains power connection:

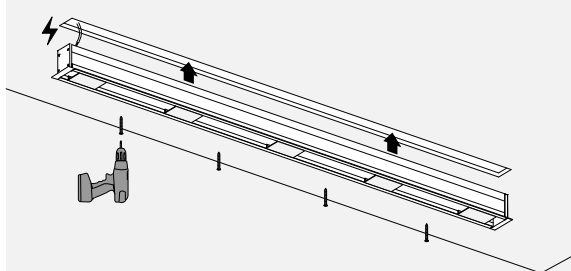
I AC Track Connector

Check that the correct cable is in the correct hole.

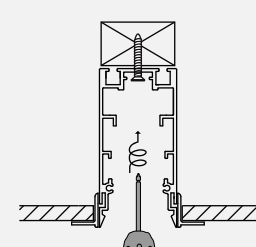
II

Only one mains power connection required per light line, which will safely power up to 50m of LED Lamp Modules.

3-1 Securing the Track Housing (Track Housing Mounting Screws)



- Use correct screw size.
- If Track Housing Modules do not have holes, drill holes as explained in p.2 of this guide.



Securing the screws too tight could damage the Track Housing.

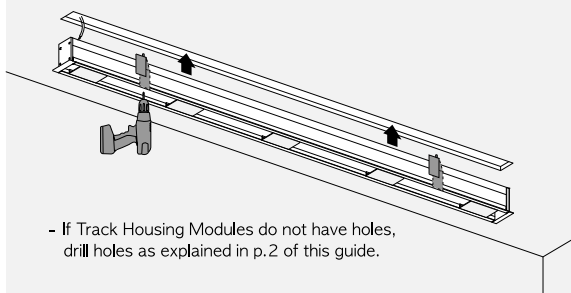
Track Housing Mounting Screws

Track Housing Mounting Screws sold by Linno are for mounting into wood only. Other screw types must

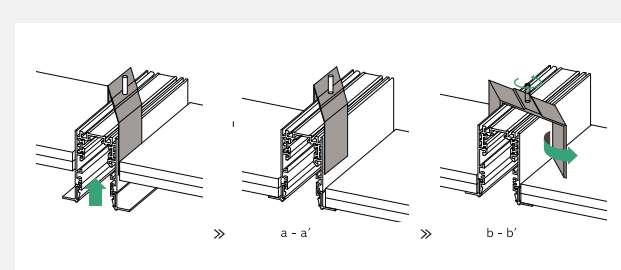
25~32mm
7-8mm

Track Housing Length (mm)	Number of Screws (ea)
600	2
900	2
1200	4
2400	4

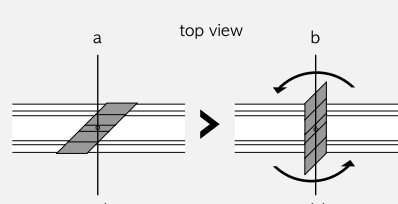
3-2 Securing the Track Housing (Recessed Mounting Holder)



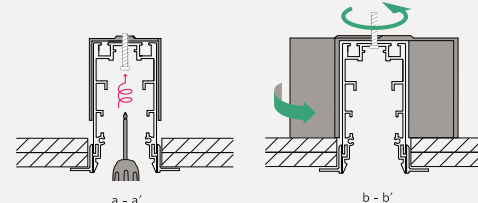
- If Track Housing Modules do not have holes, drill holes as explained in p.2 of this guide.



Securing the screws too tight could damage the Track Housing.



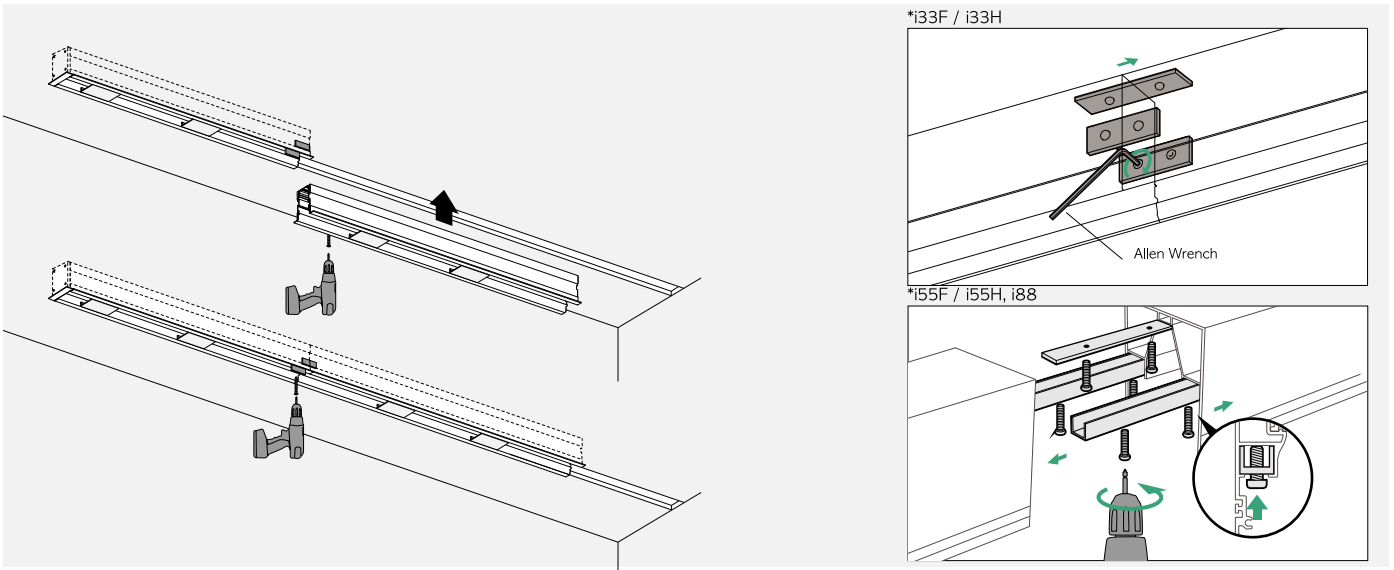
top view



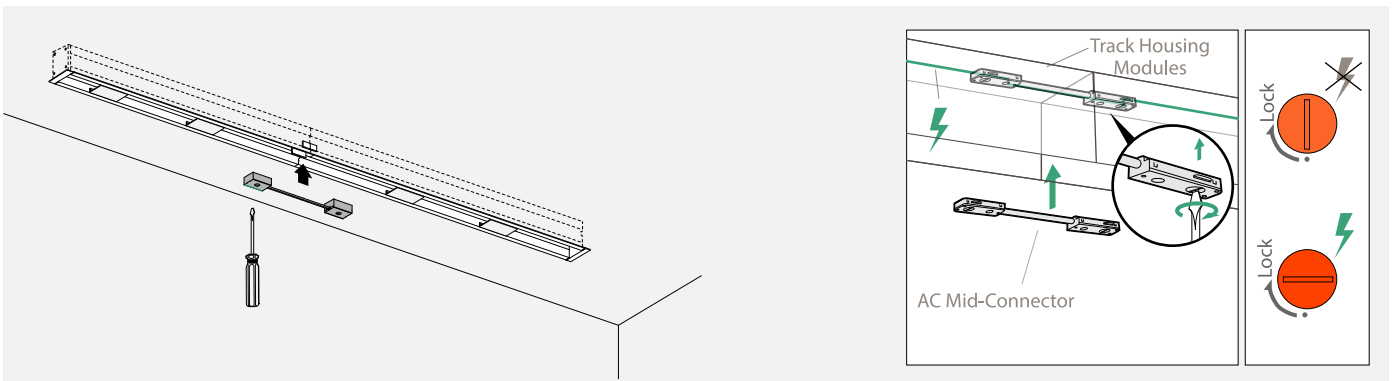
Track Housing Length (mm)	Required Recessed Mounting Holders (units)
600	2
900	2
1200	4
2400	4

Recessed Mounting Installation Guide

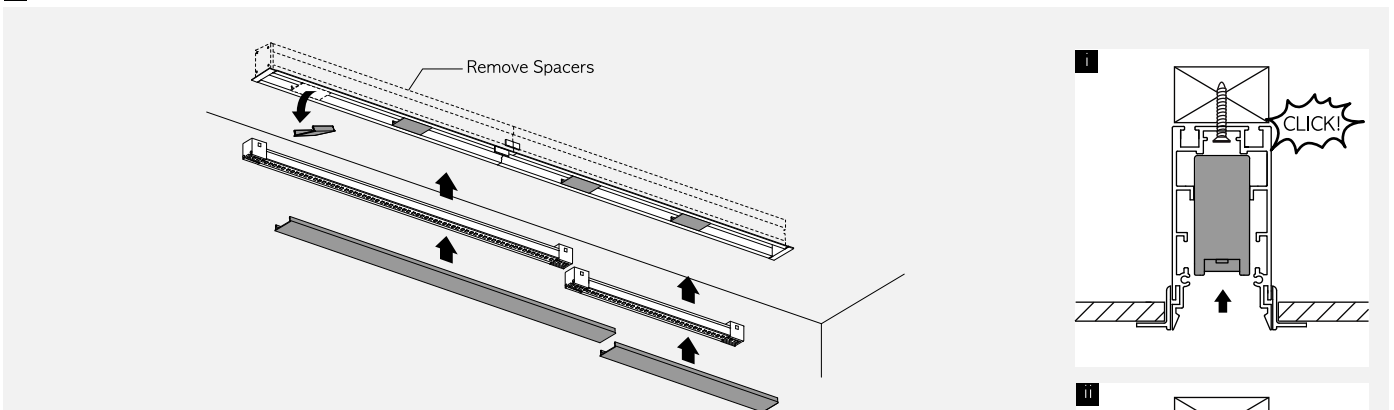
4 Connecting Track Housing Modules



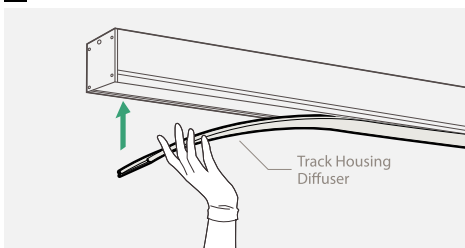
5 Attaching AC Mid-connectors



6 Removing spacers & attaching Lamp Modules and Diffusers



7 Attaching Diffuser



7-1 Removing Diffuser

