

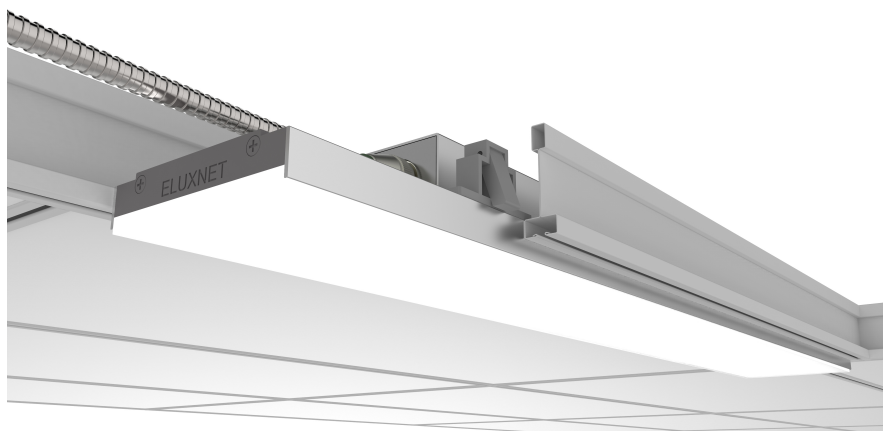
LINEALUX™

Architectural LED Lighting

LINEALUX INNOVATIVE LED LIGHTING

LINEALUX™

2FT, 4FT, 6FT



Contents

Safety Precautions -----	3
Getting Started -----	5
LineaLux Introduction -----	6
Product Specifications -----	7
Product Components -----	8
Product Installation	
T Bar Grid/Slot Installation Methods: Single Fixture -----	10
T Bar Grid/Slot Installation Methods: Multiple Connected Fixtures -----	11
Warranty and Service Information -----	12

Attention

- Partial or full reprint of the contents of this instruction manual without consent is prohibited.
- The contents of this instruction manual are subject to change without notice.
- If any mistakes or omissions are identified in this instruction manual, please inquire with the retailer where the product was purchased, or the nearest contact indicated in the “Service Information”.

Safety Precautions

Safety precautions are specified for safe and appropriate use of the product and also to prevent any dangers or losses.

Warning

- Electrical work must be performed by professional electricians in accordance with the installation manual and the designated circuit diagrams. (Using inadequate electric cables and improper electric work may lead to fire and electrocution)
- Do not twist or damage the power cable. (It may lead to fire or electrocution)
- Proper grounding work must be performed during installation. (Failure to do so may lead to electrocution)
- Do not replace the product's power converter unless you are a certified electrician. (It may lead to fire accidents or product damage)
- Do not disassemble, modify, or repair the product unless you are a certified electrician. (It may lead to fire or electrocution)
- Refrain from using or storing flammable substances or combustible gasses near the product. (It may lead to fire accidents or product damage)
- Do not install the product in structurally unsound areas where if installed, the product may fall. For example, do not install the product in areas that cannot bear the product weight. (It may lead to product damage or injuries)
- If you wish to make an exchange or reinstall any products, please make an inquiry to the retailer where the product was purchased or to professional installers. (Failure to contact the retailer or professional installers may lead to fire, electrocution, or injuries)

Safety Precautions (continued)

Before and during installation:

- Avoid unsafe practices that may lead to potentially electrically hazardous situations, which may result in minor or moderate injury or property damage.
- Ensure that the building's main power supply is off before installing or wiring the light fixtures.
- Products must be installed by a qualified electrician in accordance with NEC and relevant local codes.
- Do not use the product if the power cables are damaged.
- Do not attempt to install or use the product before reading and understanding the installation instructions and safety labels.
- Do not exceed the specified voltage and current input.
- Do not exceed the maximum number of specified fixtures in a light run. Doing so will result in current overload.
- Do not hot swap. Ensure that power to the fixture is off before connecting or disconnecting fixtures.
- Always connect the wires of the same color with each other and never cross the wires.
- Never approach a downed power line; Avoid contact with transformer boxes in areas with underground utilities and electric utility substation sites or equipment; Protect self and others from injury and fire by using ground fault circuit interrupters (GFCIs) and grounded outlets.

Getting Started

LineaLux is an innovative LED lighting fixture for use in general lighting.

A striking advantage of LineaLux is its simple installation procedure. This guide contains important information about installing and operating your LineaLux fixtures safely and accurately.

Included In This Box:

- LineaLux LED Light Fixture
- Tough-Wire 5Pin cable connector
- 3FT AC Power Feed Cable
- User Manual
- Product Warranty

Scope of This User Manual

The goal of this user guide is to explain the steps necessary to install LineaLux and assure peak performance.

Its intended use is for reference only, by persons who are fully qualified.

This document should never be considered a substitute for any provision of a regulation or state and/or local code.

Owner / User Responsibilities

It is the responsibility of the contractor, installer, purchaser, owner, and user to install, maintain, and operate LineaLux in such a manner as to comply with all state and local laws, ordinances, regulations, and the American National Standards Institute Safety Code.

Planning Suggestions

When planning LineaLux installation, the manufacturer suggests doing the following:

- Consult an Electrical Inspector to review all wiring plans.
- Refer to local and state codes for installation compliance.
- Create a Layout Plan drawing.
- Seek general advice from the manufacturer if needed.

Product Introduction

1. Design

A new innovative LED lighting fixture for linear application has made its first step to bring the unique design to life. Cutting edge, laser-cut engineered clear lenses with casted diffusers deliver more than 90% light from the source while creating a continuous run when installed.

With a smooth, flowing run without breaks between fixtures, LineaLux is suitable for both typical lay-in drop ceiling and Gyp-board recessed installation.

2. Lifetime of Solid State Lighting Systems

For traditional lamp sources, lifetime is defined as the point at which 50% of the lamps fail. This is also called Mean Time Between Failure [MTBF]. LEDs are semiconductor devices and have a much longer MTBF than conventional sources. However, MTBF is not the only consideration in determining useful life. ELUXNET uses the concept of useful light output for rating fixture lifetimes. Like traditional sources, LED output degrades over time (lumen depreciation), and this is the metric for SSL lifetime.

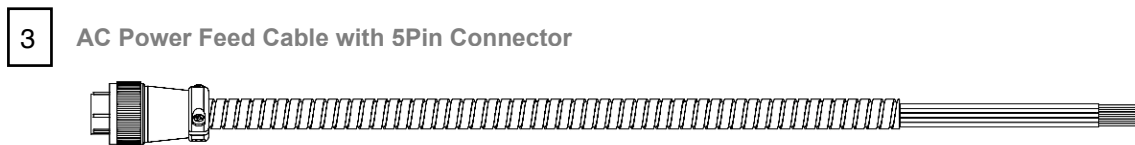
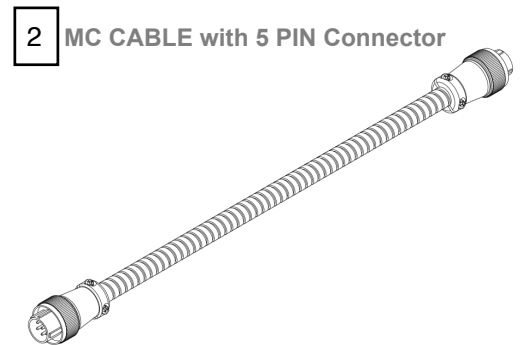
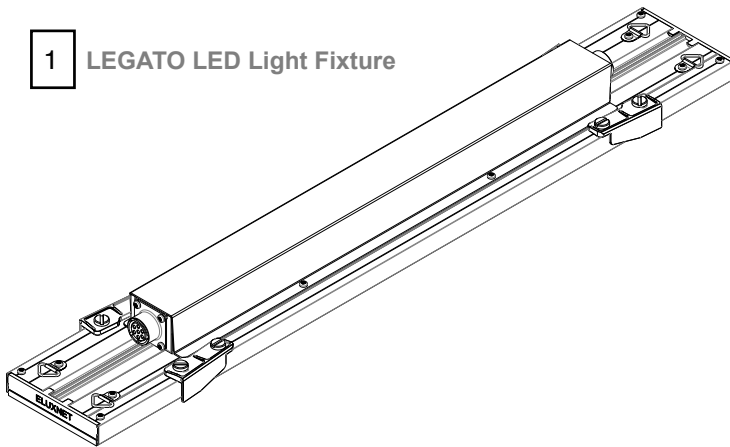
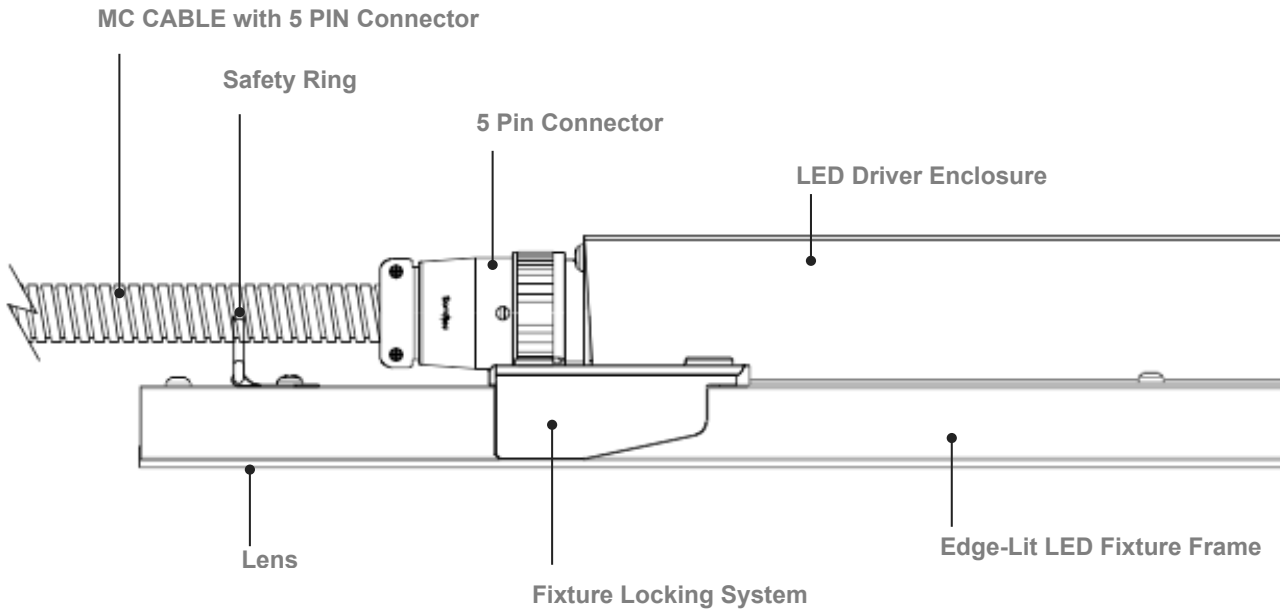
LED lumen depreciation is affected by numerous environmental conditions such as ambient temperature, humidity and ventilation. Lumen depreciation is also affected by means of control, thermal management, current levels, and a host of other electrical design considerations. ELUXNET systems are expertly engineered to optimize LED life when used under normal operating conditions. Source life information is based on LED manufacturers' data, as well as other third party testing. Low temperature and controlled effects have a beneficial effect on lumen depreciation. Results based on actual usage environment will vary.

ELUXNET rates product lifetime using lumen depreciation to 70% of original light output. When all the LEDs in a product are on full output and at the maximum operating temperature, the LED lifetime is in the range of 50,000 – 100,000 hours.

Product Specifications

Specification	Description		
Lamp Type	Side Edge		
Color Temperature (CCT: K)	3,000K	3,500K	4,000K
Luminous Flux (lm)	800lm/foot		
Efficiency (lm/w)	100 lm/w		
Color Consistency	Proprietary binning for uniform color		
Lumen Maintenance (L70)	50,000 hours		
Power Factor	0.9 ↑		
Input Voltage	120-277VAC, 50/60 Hz		
Power Consumption	16W, 29W, 42W		
Dimming Control	Energy Harvesting Wireless Control, 0~10V Dimming		
CRI (Ra.)	82 (Typ.)		
Dimension	23 3/8", 47 3/8", 71 3/8"		
Weight	2FT-5.5lbs, 4FT-12.5lbs, 6FT-13.5lbs		
Optics	Light Refraction / Acrylic Diffusion		
Beam Angle	120°		
Application	Typical lay-in drop ceiling, Gyp-board recessed installation		
Operating Temperature	-4F ~122F		
Humidity	20% - 85% RH, Non condensing		
Certification	ETL Certificate		
Material Usage	RoHS compliant, No mercury		
Environment	Dry location, Indoor Use		
LED Class	L70 rated to 50,000 hours		

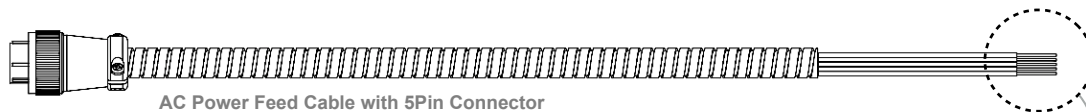
Product Components



Product Installation

⚠ Ensure that the building power is completely shut down when performing electrical work.

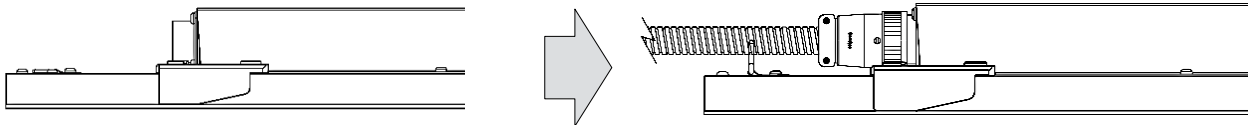
1. AC Power cable wiring



1	BLACK	LINE
2	WHITE	NEUTRAL
3	GREEN	GROUND
4	PURPLE	0~10V DIM
5	GRAY	GROUND

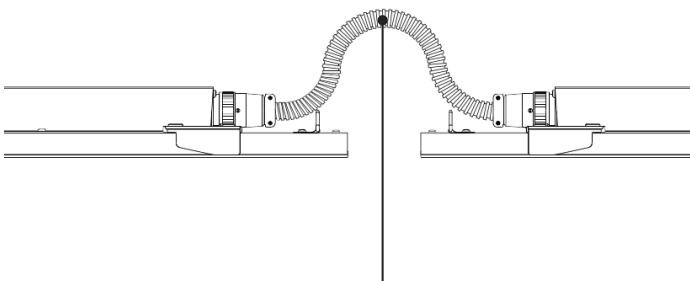


2. Connect the AC power cable to the fixture



To connect the AC power cable to fixture, connect the end with the 5 pin connector to the lighting fixture and connect the other end to the power source, matching each wire with the same color wire on the source

3. Daisy-Chain Connection



MC CABLE with 5 PIN Connector

	Input Power	Watt	# of Fixture
2FT	120 ~ 277Vac	16.5	30 Units
4FT		29	16 Units
6FT		42	12 Units

Connect multiple fixtures with a daisy-chain configuration with a through-wire MC cable with 5 pin connector (use appropriate length cable)

Product Installation

 Ensure that the building power is completely shut down when performing electrical work.

T-Bar Ceiling Grid/Slot Installation: Single Fixture

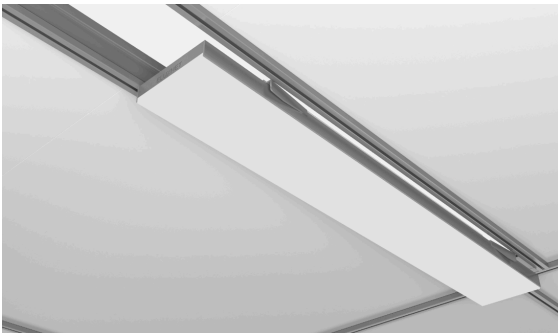
Step 1



For video instruction, consult ELUXNET.com

Ascertain correct lighting fixture for desired space based on length

Step 2



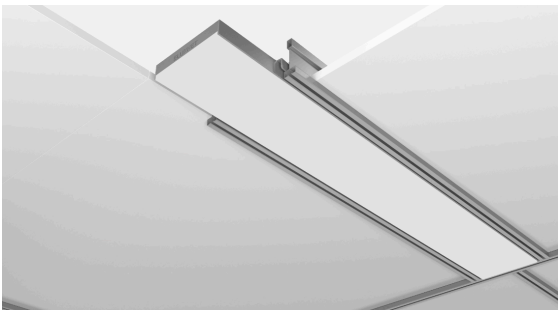
Place the lighting fixture by raising it into ceiling at desired opening

Step 3



Set fixture with locking mechanism as pictured

Step 4



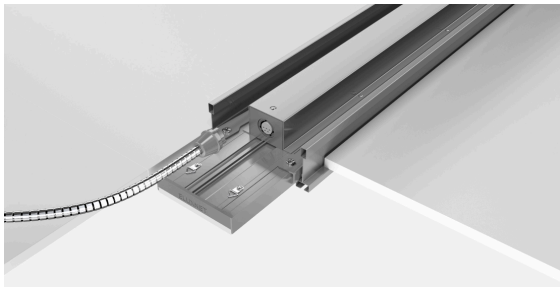
Ensure proper installation of lighting fixture by turning on lights

Product Installation

 Ensure that the building power is completely shutdown when performing electrical work.

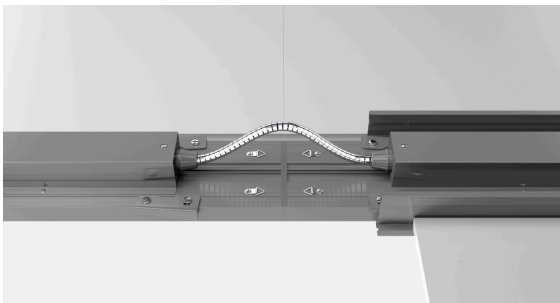
T-Bar Ceiling Grid/Slot Installation: Multiple Connected Fixtures

Step 5



Connect multiple fixtures with a daisy-chain configuration with a through-wire MC cable with 5 pin connector (use appropriate length cable)

Step 6



Connect lighting fixtures by placing them adjacent to each other and connect each to a cable

Step 7



Ensure proper installation of lighting fixtures by turning on lights

Removal



Use provided removal tool and use the top portion to slide in by the fixture and unhook lighting fixture to remove from placement

Warranty

ELUXNET USA corporation (“ELUXNET”) provides warranty for its products in case of defects in material and workmanship for a period of five (5) years. During the warranty period, ELUXNET will repair or replace (whichever preferred option) any parts or provide electronic assembly of the unit with the defect in material. Return Material authorization is required for returning ELUXNET products for warranty consideration. Each ELUXNET product sold is covered by the official warranty in effect at the time of purchase.

This warranty is between the end customer (ultimate user) and ELUXNET (manufacturer). Manufacturer’s warranty does not cover damage due to improper installation, abuse, neglect, or any other failure due to out-of-ordinary and reasonable consumer use. ELUXNET will not be held liable for any incidental or consequential damages, and assumes no responsibility or liability for expenses incurred in the removal and/or reinstallation of products requiring service and/or repair; nor for the packaging, handling, and shipping to ELUXNET; nor for the handling of products returned from the company after service or repair. There are no other warranties, expressed or implied, including, but not limited to, any implied merchantability or fitness for a particular use. This warranty will be void when using or substituting any product other than all-genuine ELUXNET system components such as the power supply. Warranties are non-transferable.

ELUXNET USA Corporation

3 South Corporate Drive
Riverdale NJ 07457

Tech support
Email: support@eluxnet.com
P. 888-490-7222