

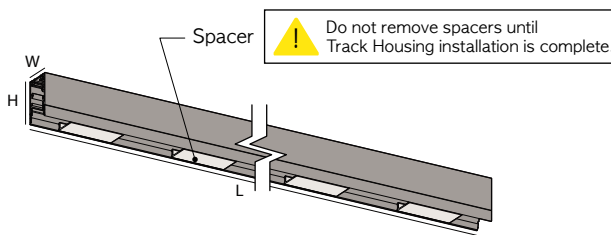


Caution

- This product is suitable for dry, indoor locations only (scope: IP20).
- ★ When installing, replacing, maintaining or cleaning Linno Infinity System:
 - The products must be handled by qualified personnel.
 - Ensure that the mains power is turned off.
 - Always wear protective gloves.
 - Wear a hard hat and safety goggles when necessary.
 - The products may become hot after prolonged use. Handle with care.
- Only compatible components should be connected as recommended by Eluxnet.
- Ensure that all electrical connections are safe and secure.
- Ensure the Infinity Track Housing is properly grounded.
- Ensure that lamp modules are securely connected to the track housing.
- Use only in the manner intended by the manufacturer. If you have any questions, contact the manufacturer. (Email_support@eluxnet.com)
- Do not open or attempt to modify the lamp module. If a luminaire is subsequently modified, the person responsible for the modification is considered as the manufacturer.
- The manufacturer is not responsible for damage or injury caused by improper handling, installation and use.

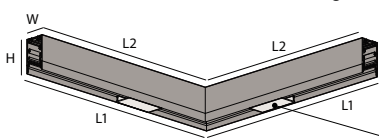
Product Dimensions

a. Linear Track Housing

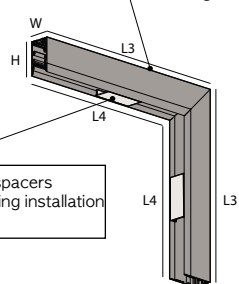


	L (Length)	W (Width)	D (Depth)
i33F	600mm	33mm	68mm
i33H	900mm	33mm	53mm
i55F	1200mm	55mm	80mm
i55H	1200mm	55mm	59mm
i88	2400mm	88mm	90mm

b. 90° Horizontal Track Housing

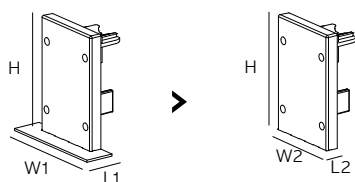


c. 90° Vertical Track Housing



	L1 (Length)	L2 (Length)	L3 (Length)	L4 (Length)	W (Width)	H (Height)
i33F	625mm	592mm	655mm	587mm	33mm	68mm
i33H	625mm	592mm	655mm	602mm	33mm	53mm
i55F	635mm	580mm	655mm	575mm	55mm	80mm
i55H	635mm	580mm	655mm	596mm	55mm	59mm
i88	655mm	567mm	655mm	56mm	88mm	90mm

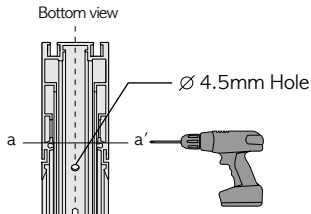
d. End-Cap



	L1	L2	W1	W2	H
i33F	15mm	4mm	56mm	33mm	68mm
i33H	15mm	4mm	56mm	33mm	53mm
i55F	15mm	4mm	78mm	55mm	80mm
i55H	15mm	4mm	78mm	55mm	59mm
i88	15mm	4mm	111mm	88mm	90mm

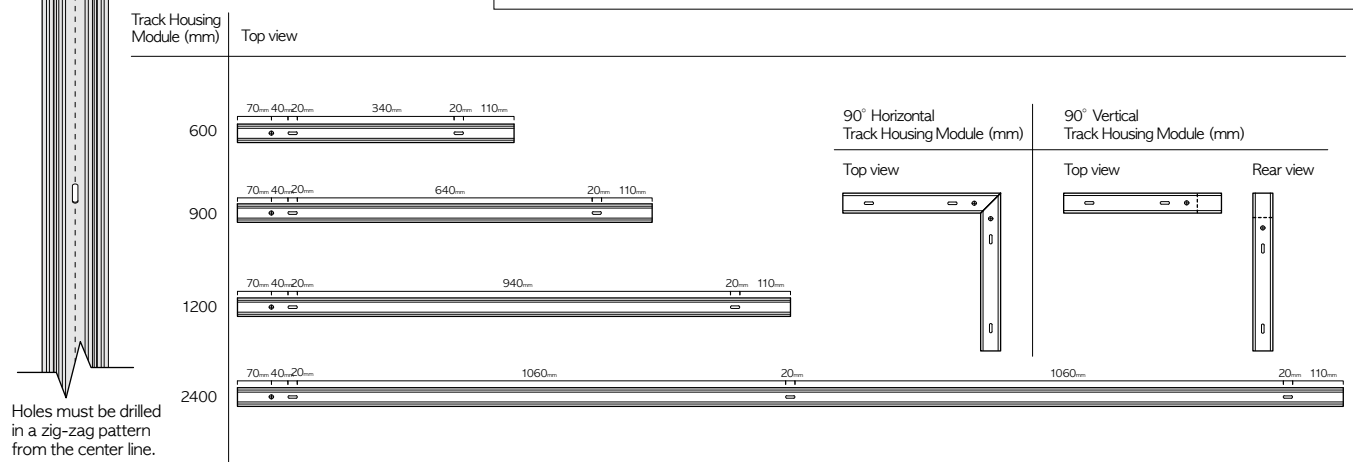


Before beginning installation: prepare Track Housing Modules for installation



For certain installation situations (e.g. surface, recessed mounting onto structural member) it will be necessary to drill holes in the Track Housing Modules. These holes are for the installation of the Track Housing Mounting Screws.

a - a' section



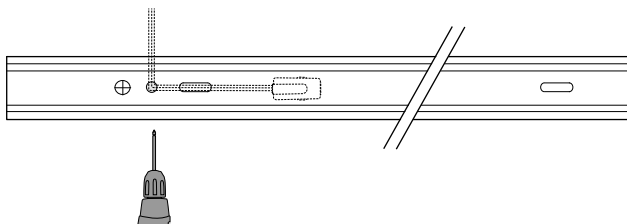
! How to place AC track connector

•Option A
Fixed location



After securing the AC track connector to the track housing, connect power main to AC track connector wire.

•Option B
Location free

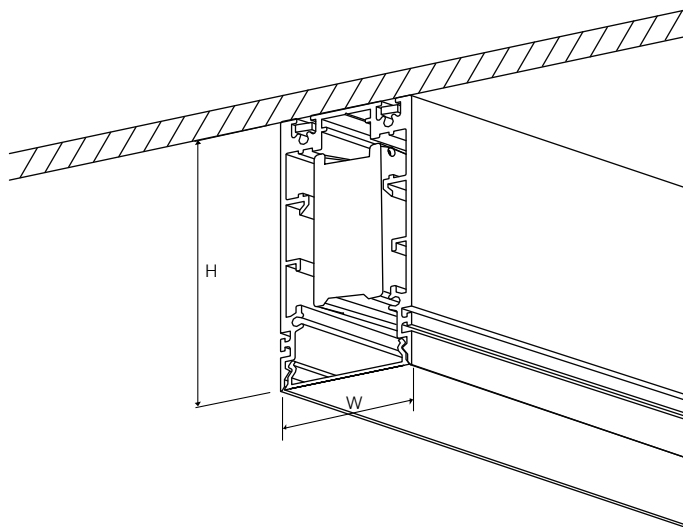


Drill Ø4.5mm hole in the track housing, connect AC track connector to the main power.

Surface Installation Methods

Track Housing Mounting Screw

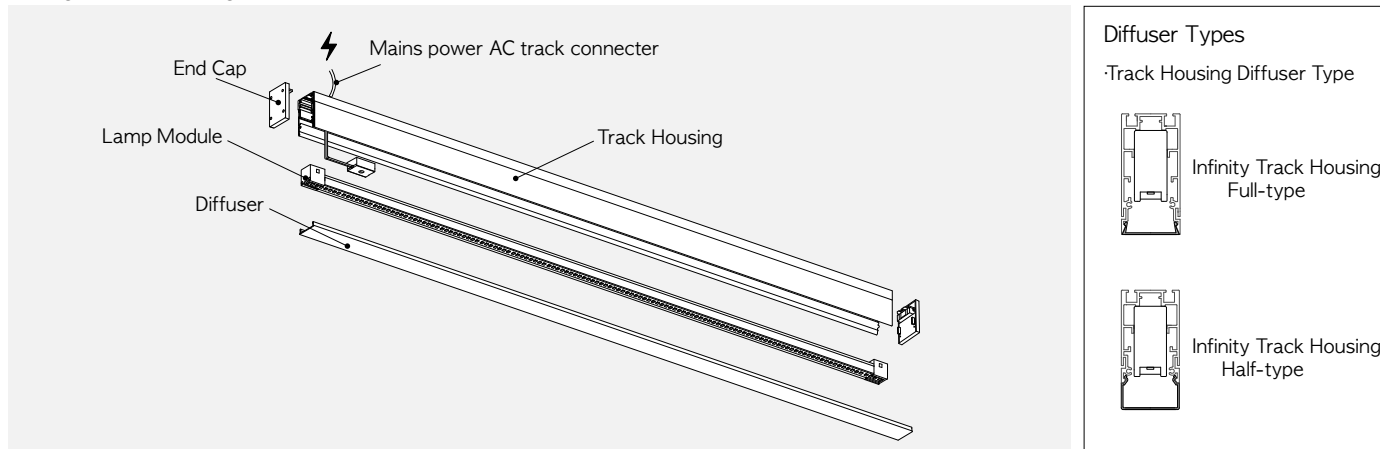
—— Track Housing
(Units: mm)



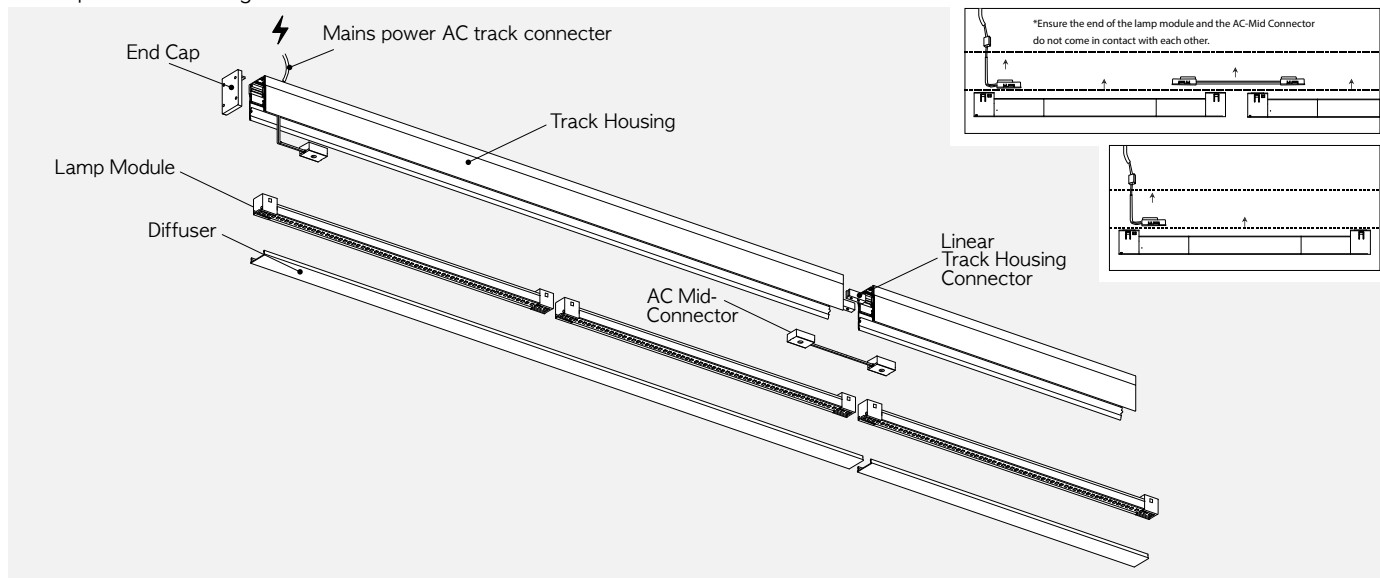
	W (Width)	H (Height)
i33F	33mm	68mm
i33H	33mm	53mm
i55F	55mm	80mm
i55H	55mm	59mm
i88	88mm	90mm

Track Module Configuration

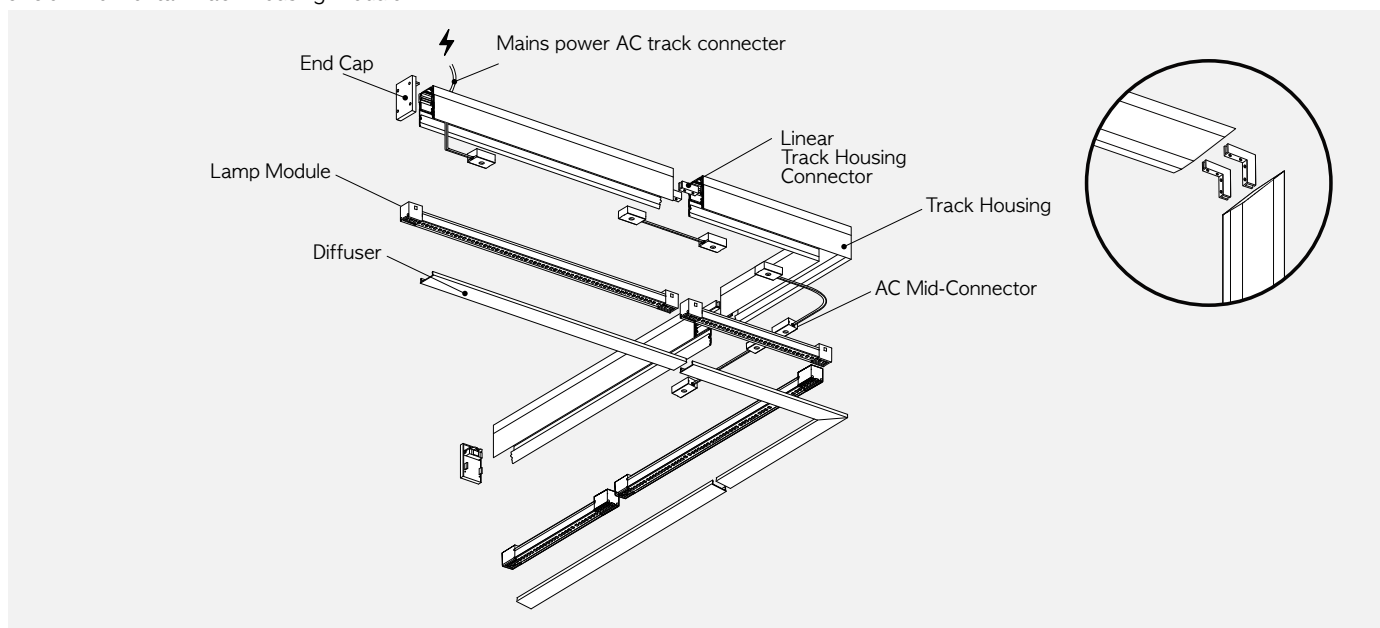
a. Single Track Housing Module



b. Multiple Track Housing Modules

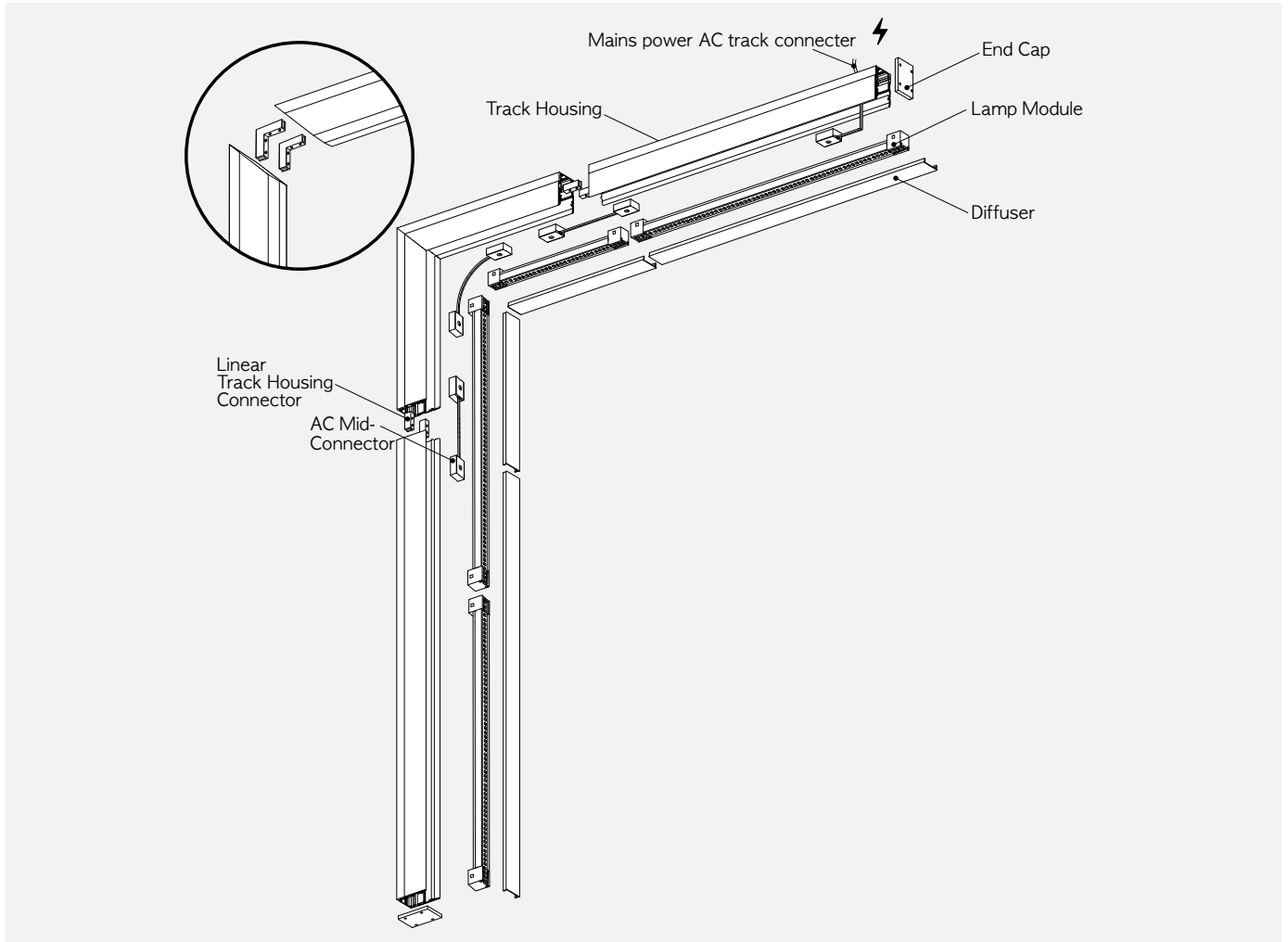


c. 90° Horizontal Track Housing Module

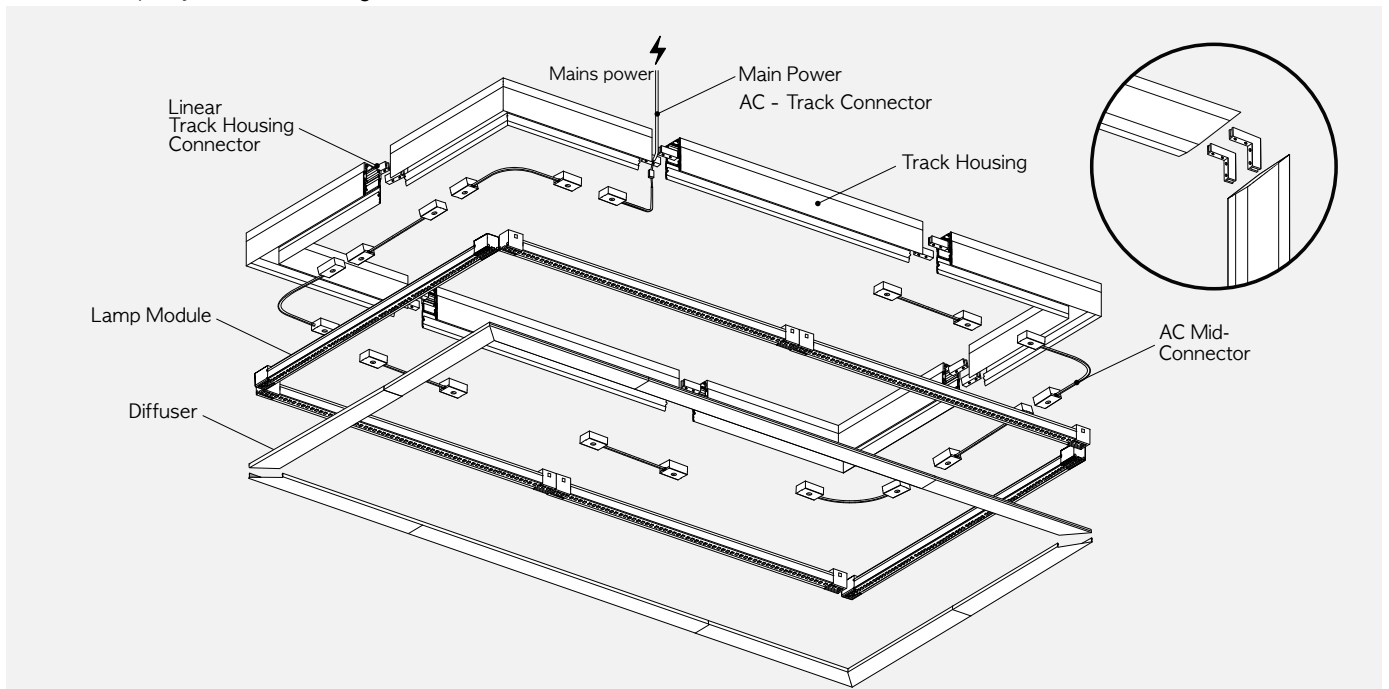


Track Module Configuration

d. 90° Horizontal Track Housing Module

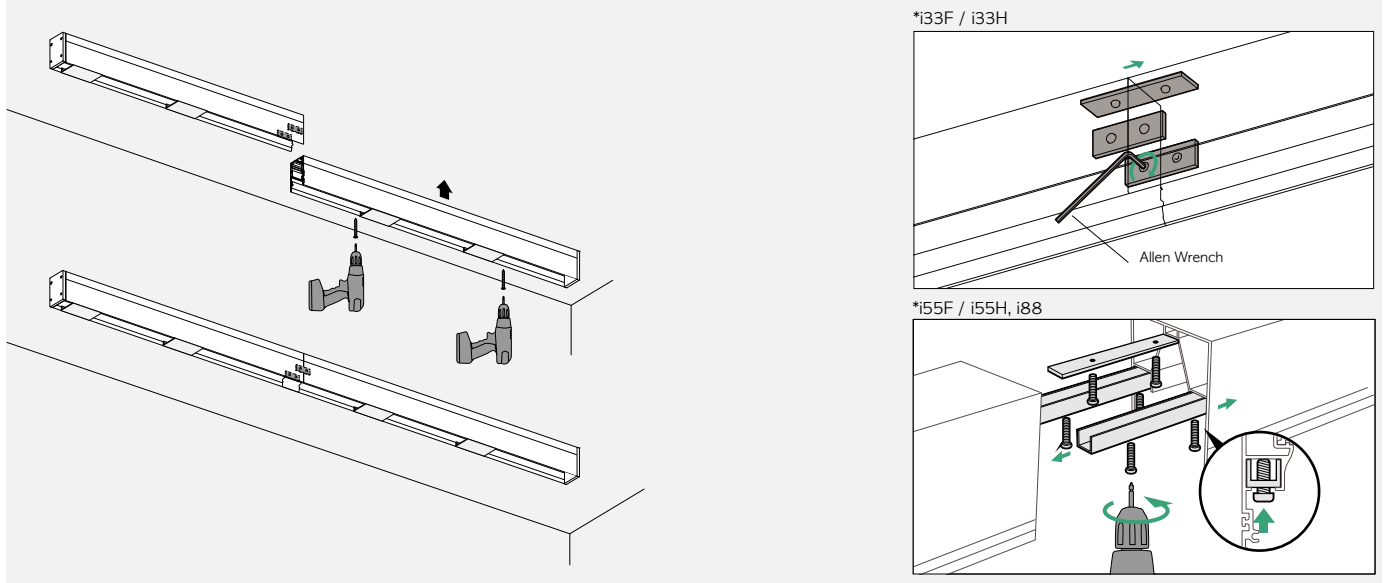


e. Closed Loop Layout Track Housing Module

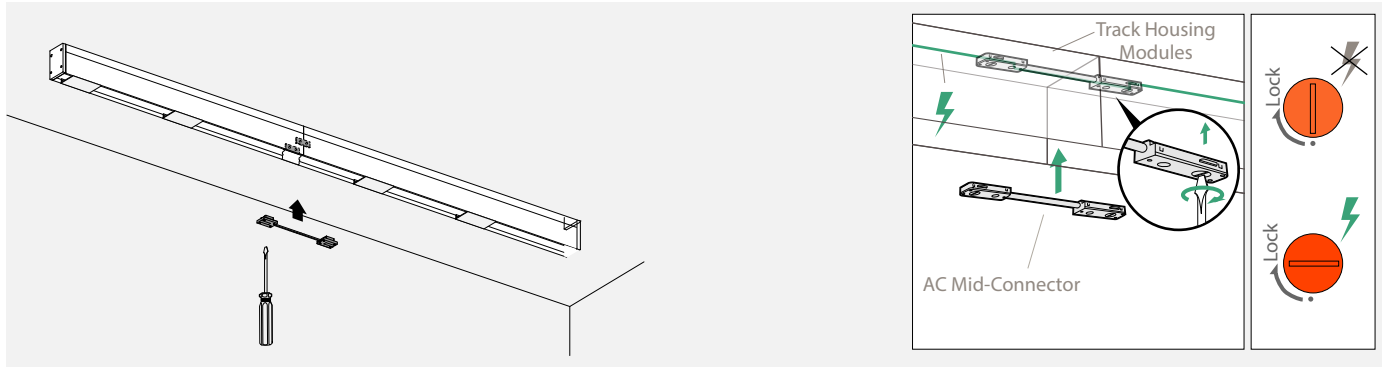


Surface Mounting Installation Guide

1 Connecting Track Housing Modules



2 Attaching AC Mid-connectors



3 Removing spacers & attaching Lamp Modules and Diffusers

