

Luminex™ Leader of Green Technology and Solution for Future Lighting

LUMINEX INNOVATIVE LED LIGHTING

LED Flat Panel Light(Slim Edge type) Installation Guide

LUMINEX E SERIES – G1, G3, G6

Luminex™



Handling Notice for LED Light Fixtures

For Contractors(Safety Attention).....

Warning

- Workers for mounting fixtures should be qualified with electrical engineering certificate.
- Mounting light fixtures by unqualified people is forbidden by law.
- Make sure that light fixtures be installed on the place standing the weight of fixtures by the mounting guide.
- Uncertain mounting may cause drop of fixtures, fire, electric shock and injury.
- Make sure that the electric power cable be connected properly.
- Unstable connection by poor contact may cause heat generation and fire.
- Grounding should be done for sure according to electric equipment technology standards.

Caution

- Put a proper distance, when mounting multiple light fixtures.
- Put on safety equipments such as isolation gloves for mounting/removal of fixtures, and turning on/off fixtures.

For Using Customers(Safety Attention).....

Warning

- Mounting light fixtures by unqualified people is forbidden by law.
- Please ask an electric contractor for mounting.
- Do not add or remove parts, and make no alterations, which may cause fire and electric shock.
- Keep from using the fixtures in humid and watery places, which may cause electric leakage, fire, and electric shock.
- Do not input anything made of metal or flammable through gap or radiation opening of fixtures.
- If abnormal state happens such as smoke or burning smell, turn off the power immediately and ask an engineer for repair.

Do not use the light fixtures out of $\pm 5\%$ of the rated voltage inscribed.

This product is for indoors, please do not use in outdoors, which may cause electric shock or fire.

Manufacturer: ELUXNET USA Corporation
Address: 3 South Corporate Drive Riverdale New Jersey

LED Flat Light(Edge type) Installation Guide

Please read this manual before installing and using the products.

Product image in this manual may be different from actual images for quality improvement.

Specification

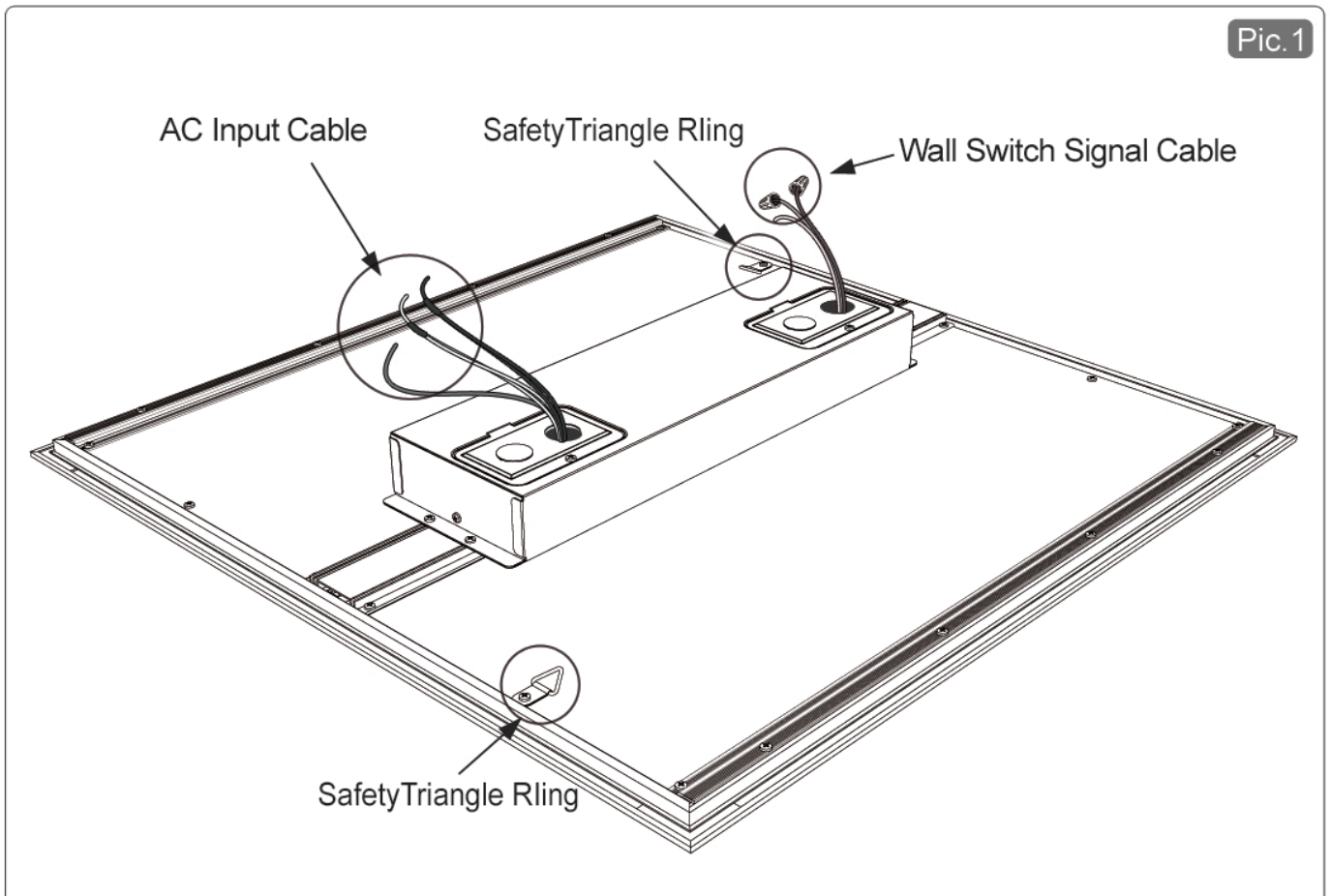
Model No.	Option	Power(W)	Size(mm)	Input Voltage(V)	Color(K)
LUMINEX 1040E	Dimming Control	45W	1'x4'	AC120~277V, 50/60Hz	3,500K
LUMINEX 2020E		45W	2'x2'		4,000K
LUMINEX 2040E		50W	2'x4'		5,000K

Parts

※ Product size is size without fixed bracket

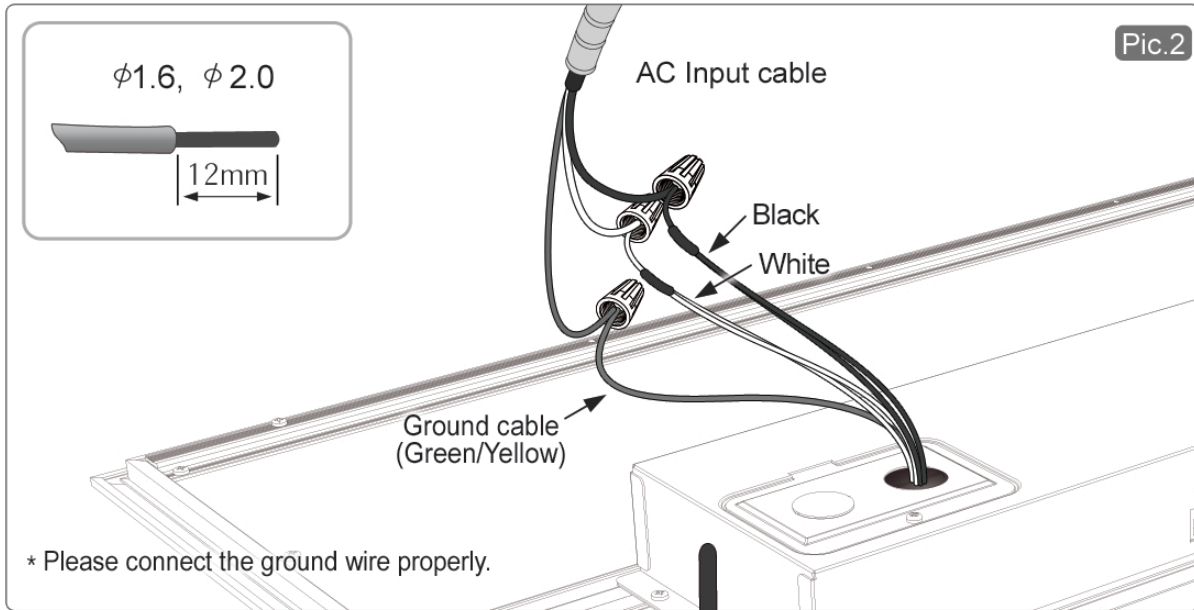
- The main body of the product - 1ea
- Manual / Warranty -1sheet

Name of parts



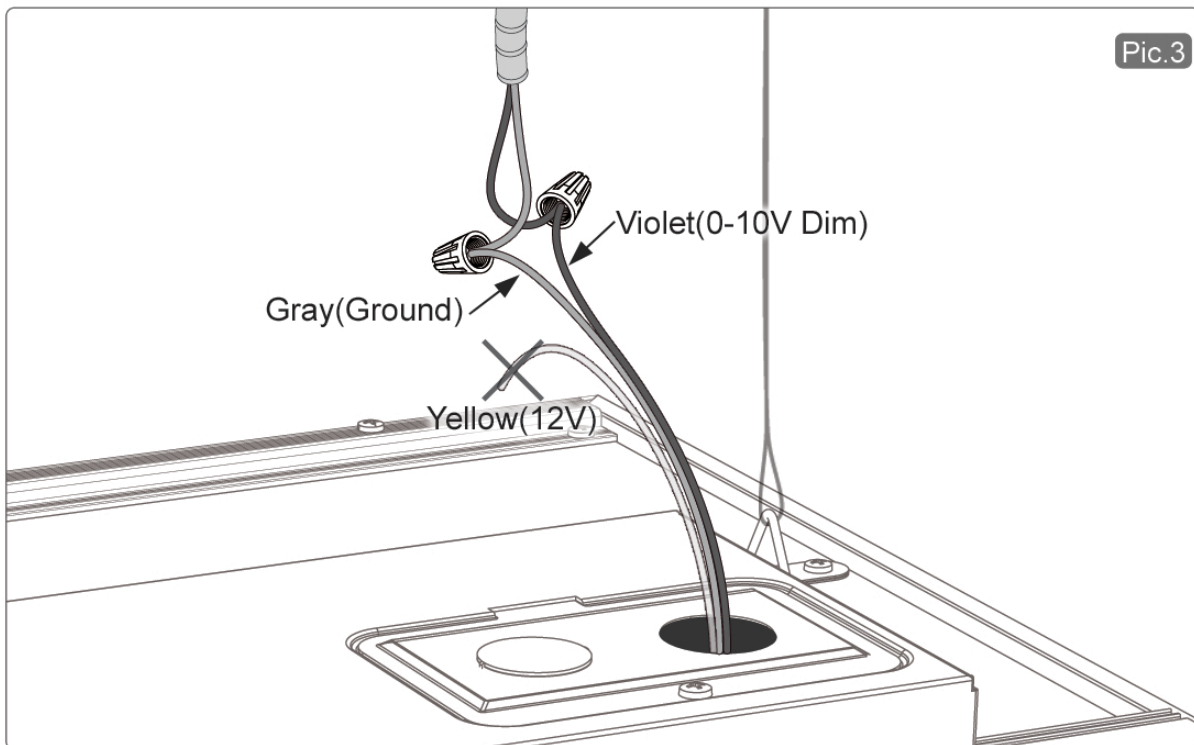
⚠ Caution : Please make sure the switch and power off, before starting to work.

1. AC Cable connection



- 1.1. Peel off around 12mm sheath of lead in wire on ceiling and connect to AC Input wire(black,white) of product. If connect is bad, fire may be caused by electric shock, short circuit, or product broken, light may not be on.

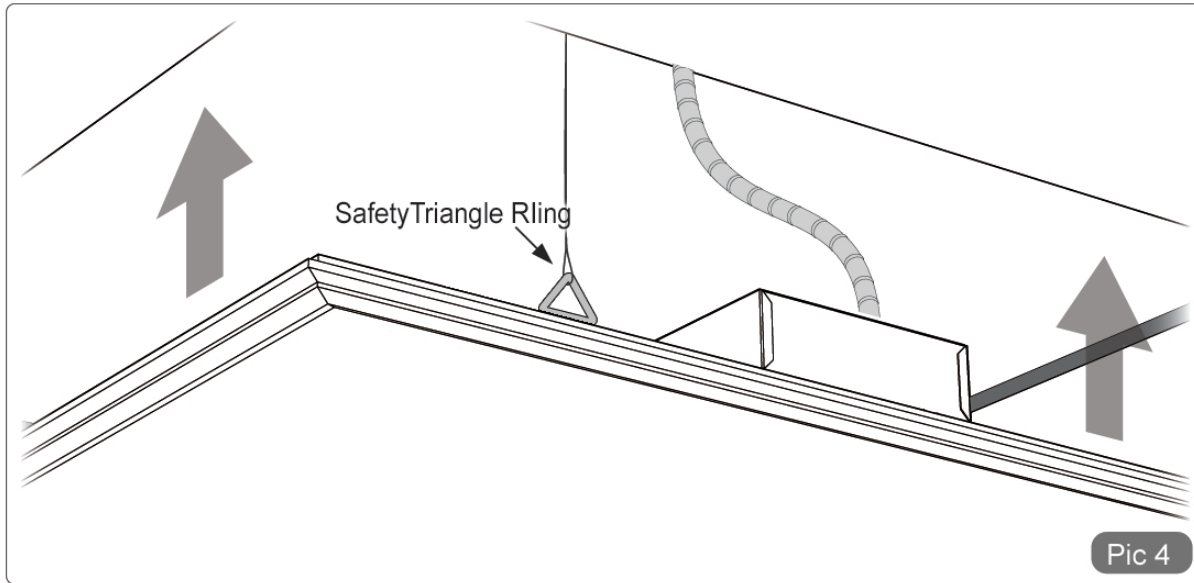
2. Wall Switch Signal Cable Connection



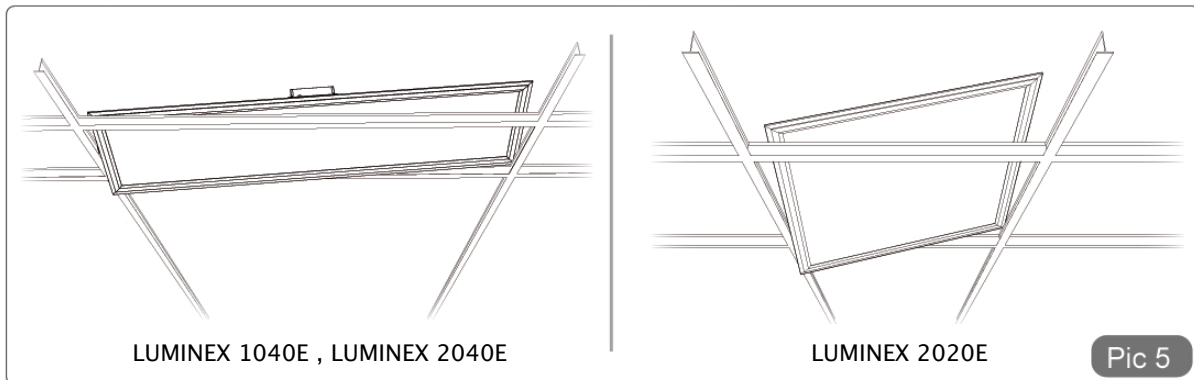
- 2.1. Connect the dimming signal input cable(violet) and dimming signal output cable(violet) of the controller. Connect the ground cable(gray) and the ground cable(gray) of the controller.

3. Light Fixture Mounting

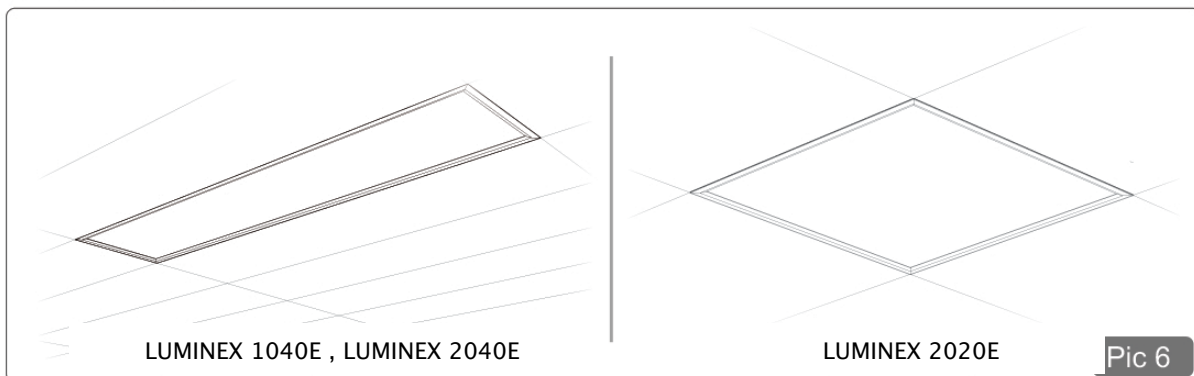
※ If there is an already installed product in upper side of punching hole, It is impossible to install, so please secure space more than 150mm.



3.1. Insert the product inside of hole at already punched part on ceiling by tilting, and put it on already installed T-bar frame for fixing on ceiling. (Pic 5)



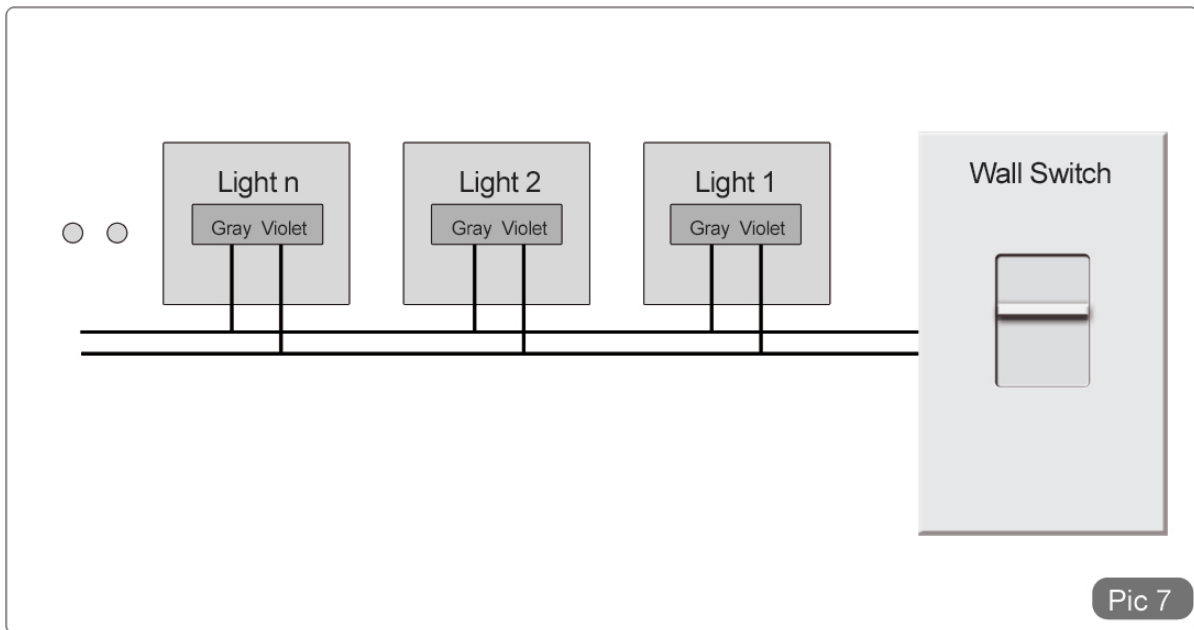
3.2. Make sure the product is solidly fixed in ceiling and then check the light is on normally when the switch is on.



“Pictures which show light fixtures are normally installed.”

4. Diagram of connection for more than two light fixtures

※ There is no limit in numbers installing more than two fixtures by daisy chain, it can be endlessly extended according to installing environment.



5. Wall Controller Operation

