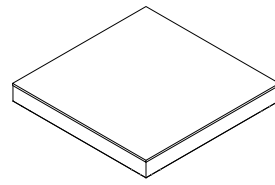


LEGATO ARCHITECTURAL LED LIGHTING

PANELUX

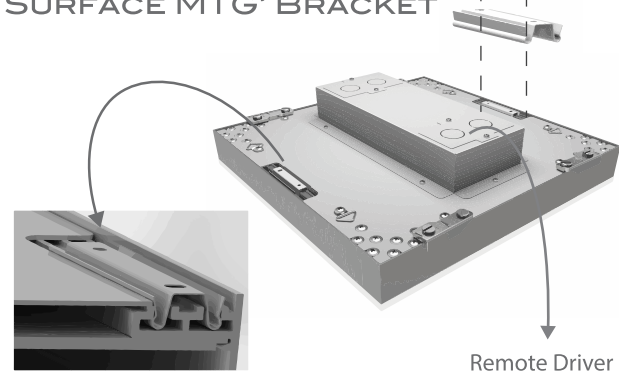
A new innovative LED lighting fixture for flat panel application has made its first step to bring the unique design to life. Cutting edge, laser-cut engineered clear lenses with diffusers deliver natural light from the source while creating a floating look when installed.



Standard Size **12"X12"**
24"X24"

Specification	Description		
Lamp Type	Direct Lit		
Color Temperature (CCT: K)	3,000K	3,500K	4,000K
Lumen output	1,500lm, 2,400lm, 3,400lm		
Efficiency (lm/w)	100 lm/w		
Color Consistency	Proprietary binning for uniform color		
Lumen Maintenance (L70)	50,000 hours		
Power Factor	0.9 ↑		
Input Voltage	100-277VAC, 50/60 Hz		
Power Consumption	16W, 25W, 36W		
Dimming control	Energy Harvesting Wireless Control, 0~10V Dimming		
CRI (Ra.)	85 (Typ.), 90 (Optional)		
Fixture Size	12"x12", 18"x18", 24"x24"		
Weight	6lbs, 10lbs, 14lbs		
Optics	Light Refraction / Acrylic Diffusion		
Beam Angle	120°		
Application	Typical lay-in drop ceiling, Gyp-board recessed installation		
Operating Temperature	-4F ~122F		
Humidity	20% - 85% RH, Non condensing		
Certification	ETL Certificate		
Material Usage	RoHS compliant, No mercury		
Environment	Dry location, Indoor Use		
LED Class	L70 rated to 50,000 hours		

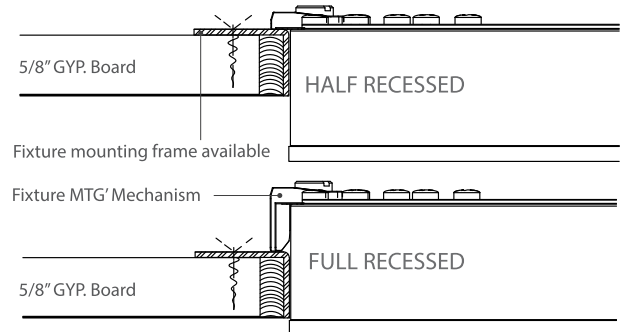
GYP. BOARD SURFACE MTG' BRACKET



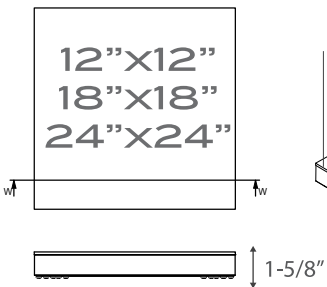
Remote Driver
Max. 15FT

Patent Pending

GYP. BOARD RECESSED FIXTURE MTG' OPTIONS

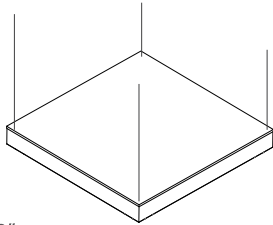


DIMENSION



PENDANT INSTALLATION

Cordless suspension system / A clean, floating modern look
Class 2 LED lighting fixture - 100W, max. 60VDC,

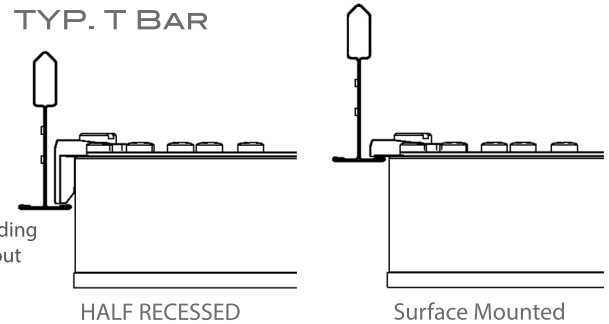


Height adjustable
Standard 48", 120", 180" OR custom length

1/16" Cable 40lbs
3/32" Cable 100lbs

Rincon's powered suspension systems both power and suspend Class 2 LED lighting fixtures with a thin cable, providing a clean, modern and elegant look without the need for a separate power cord.

TYP. T BAR



ENERGY HARVESTING WIRELESS CONTROL

